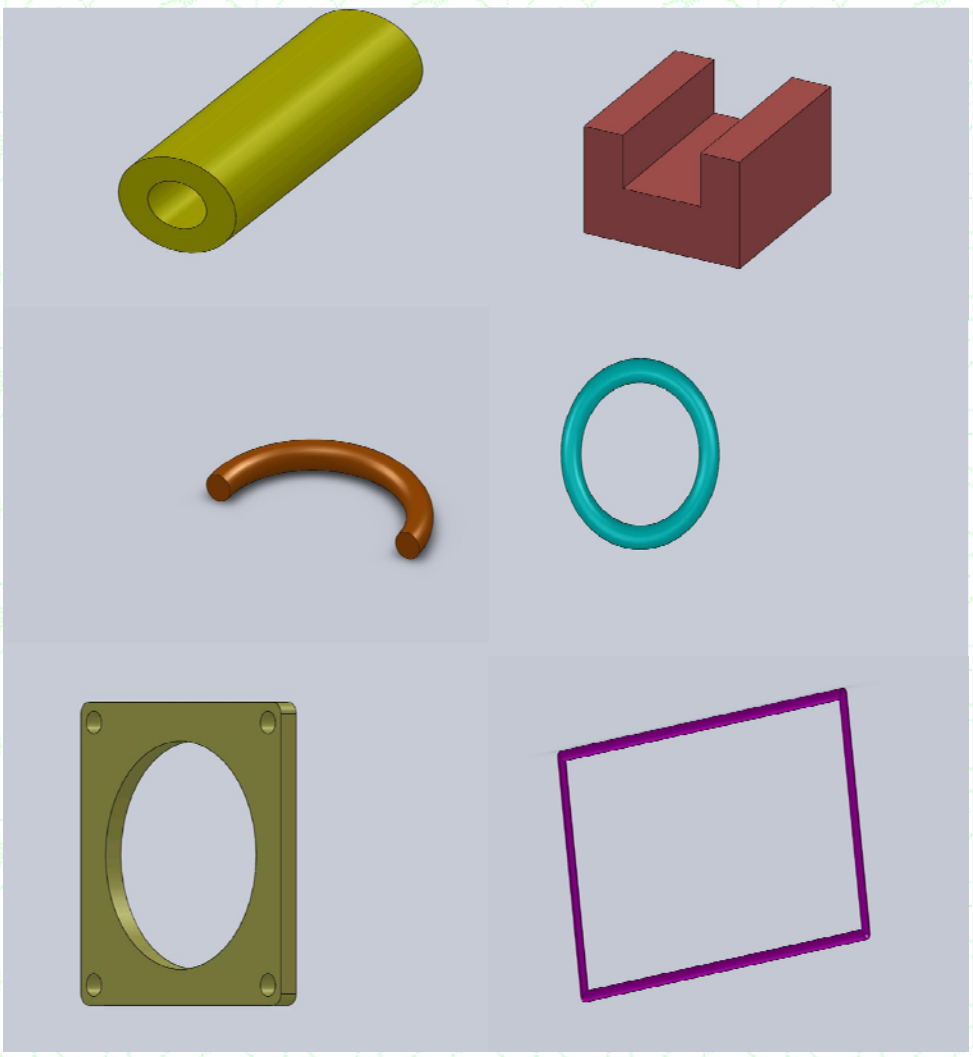




eShields RubberCon Products

EMI CONDUCTIVE RUBBER, LLC

CAT 2011



-  **Conductive Elastomer Gaskets**
-  **Seals**
-  **Molded Parts**
-  **Extruded Parts**



[EMI CONDUCTIVE RUBBER, LLC](#)

1035 N. ARMANDO STREET; UNIT T
ANAHEIM, CA 92806

1-888-327-7122 *** 714-414-0977

<http://www.emiconductiverubberllc.com>

Table of Contents:

1. Cover Page.....Page 1

2. Table of Contents.....Page 2

3. Letter from the company president.....Page 3

4. Company Mission Statement & Capability.....Page 4

5. Specification.....Pages 5 &6

6. ECR Conductive Elastomers.....Page 7

7. Sheet Stocks - Dimensions.....Page 8

8. Sheet Stocks - Pricing.....Page 9

9. Non-Conductive Gaskets.....Page 10

10. EMI/RFI Gaskets.....Page 11

11. Extruded Solid "O" Cord.....Page 12

12. Extruded Solid "O" Cord - Pricing.....Page 13

13. O-Rings (STD)Page 14

14. O-Rings (STD) - Pricing.....Page 15

15. Connectors Gaskets.....Page 16

16. Extruded Solid-D Strips.....Page 17

17. Extruded Solid-D Strips - Pricing.....Page 18

18. O-Rings (Non-STD).....Page 19

19. O-Rings (Non-STD) - Pricing.....Page 20

20. Extruded Rectangular Strips.....Page 21

21. Extruded Hollow -D Strips.....Page 22

22. Extruded Hollow -D Strips - Pricing.....Page 23

23. Extruded Hollow -P Strips.....Page 24

24. Extruded U-Channel Strips.....Page 25

25. Extruded Hollow -O Strips.....Page 26

26. Extruded Hollow -O Strips - Pricing.....Page 27

27. Flat Circular Washers.....Page 28



Dear Customers,

My name is Sonny Tran. I am president of ECR (EMI CONDUCTIVE RUBBER, LLC). As we are about to celebrate our first anniversary at this manufacturing location, I want to take this opportunity to thank to our loyal customers who have given us so many great opportunities to producing good parts and continue to improve our processes to stay competitive in this business. Over the year, we have come across many obstacles and learned to overcome these experiences as we moved forward. We have put together a PCIP (Product Continued Improvement Program) as well as QSMI (Quality System Management Implementation) in place. These programs are designed with the intention to monitor closely our processes and make sure to correct any problems that might occur. This year, we have revised our catalog with pricing and more detail part numbers and easy to understand. We also in the process to re-construct our website to have more technical information to serve you better. Our main goal is to make products better and cheaper so we can pass the saving onto our customers. In order to achieve this, we need all the helps and supports from all of you out there. Just give us a chance to prove that we can be better and more competitive than anybody else. Thanks again and hope to continue to do business in a long term relationship.

Best Regards,

Sonny Tran

President/Technical Manager



MISSION STATEMENT:

ECR (EMI CONDUCTIVE RUBBER, LLC) is committed to providing customers with high quality conductive gaskets, seals, molded parts, extruded parts and EMI shielding products that meet or exceed their expectations. We always strike to be the best supplier in business. We have got a team of dedicated staff that was experienced with the conductive rubber business in many years. We continue to invest heavily in our equipment and training to produce highest quality products in business.

CAPABILITY:

Laboratory:

- * **Instron Tensile Machine: Tensile Strength, Elongation, Tear Strength, Peel Test, etc...**
- * **Digital MicroOhmmeter : Volume Resistivity, Surface Resistivity**
- * **Force Gauge: Compression/Deflection; Volume Resistivity (as received)**
- * **Oven: Fluid Immersion; Compression Set, High Temp Test**
- * **Density Tester: Specific Gravity**

Molding Press:

- * **200 Tons Compression Molding Press**
- * **30 Tons Lab Press**
- * **50 Ton Compression Press**
- * **120 Tons RAM Extruder**

Mixers:

- * **6 x 13 2-Roll Mill**
- * **6 x 12 2-Roll Mill**

Postcure Oven:

- * **4-tray Oven**
- * **Lab Oven**

QA & Engineering:

- * **Cad Design: CATIA, SOLIDWORKS, UG, PRO-E, MASTER CAM**
- * **Custom Mold Designs, Extrusion Die Designs, Gasket Designs**
- * **Material Testing, Mechanical and Electrical Testing**
- * **Prototype, First Article and In-process Inspections on all products**
- * **Final Inspection Approval prior to shipping**
- * **Short Run, Production Run, Turn Key...**

ECR Material no.				ECR-101	ECR-102	ECR-103	ECR-104	ECR-105	ECR-106	ECR-107	ECR-108	ECR-109	ECR-110	ECR-111	ECR-112
Filler Type				Ag/Cu	Ag/Al	Ag/Cu	Ag/Al	Ag	Ag	Ag/Cu	Ag	Ag	Ag/Cu	Ag/Ni	Ag/Glass
Based Material				SIL	SIL	FSIL	FSIL	SIL	FSIL	SIL	SIL	SIL	SIL	SIL	SIL
OPERATING TEMP RANGE	°C	MIN	Test Method	-55	-55	-55	-55	-55	-65	-45	-55	-55	-45	-55	-55
		MAX		+125	+160	+125	+160	+160	+160	+125	+160	+160	+125	+125	+160
PHYSICAL PROPERTIES															
SPECIFIC GRAVITY	g/cc	± .25	ASTM D792	3.5	2	4	2	3.5	4	4.75	4	1.7	3.54	4	1.9
HARDNESS	Shore A	± 7	ASTM D2240	65	65	75	70	65	75	80	80	45	85	75	65
COMPRESSION/DEFLECTION	%	MIN	ASTM D575	3.5	3.5	3.5	3.5	2.5	3.5	2.5	2.5	8	2.5	3.5	3.5
TENSILE STRENGTH	PSI	MIN	ASTM D412 (DIE C)	200	200	180	180	300	250	600	400	150	400	200	200
ELONGATION	%	MIN	ASTM D412 (DIE C)	100	100	100	60	200	100	20	90	50	100	100	100
		MAX		300	300	300	260	500	300	N/A	290	250	300	300	300
COMPRESSION SET	%	MAX	ASTM D395	32	32	35	30	45	60	N/A	60	35	35	32	30
TEAR STRENGTH	PPI	MIN	ASTM D624 (DIE C)	25	30	35	35	50	40	70	60	20	40	30	30
ELECTRICAL PROPERTIES															
VOLUME RESISTIVITY (as received)	(Ω-CM)	MAX	MIL-DTL-83528C	0.004	0.008	0.01	0.012	0.002	0.002	0.007	0.005	0.01	0.005	0.005	0.006
SHIELDING EFFECTIVENESS (30 Mhz-10 Ghz)	dB	MIN	MIL-DTL-83528C MIL-STD-285	116	114	114	118	124	124	110	110	80	120	125	100
30 Mhz				115	115	115	111	118	119	115	70	60	114	120	118
100 MHz (E-Field)				113	105	117	126	131	127	131	120	100	132	126	131
400 MHz (E-Field)				114	112	110	126	123	128	143	120	100	117	133	134
2 GHz (Plane Wave)				125	123	114	117	133	134	124	120	90	113	132	132
10 GHz (Plane Wave)				114	114	114	109	113	113	112	120	80	124	112	112
ELECTRICAL STABILITY DURING VIBRATION (Ω-CM)	DURING	MAX	MIL-DTL-83528C	0.006	0.012	0.015	0.015	0.01	0.01	0.01	0.006	0.015	0.01	0.01	0.009
	AFTER			0.004	0.008	0.01	0.012	0.002	0.002	0.007	0.005	0.01	0.005	0.005	0.006
ELECTRICAL STABILITY AFTER BREAK	(Ω-CM)	MAX	MIL-DTL-83528C	0.008	0.015	0.015	0.015	0.01	0.01	N/A	0.006	0.02	0.01	0.01	0.009
UPPER TEMPERATURE	(°C)	MAX	ASTM D1329	+125	+160	+125	+160	+160	+160	+125	+160	+160	+125	+125	+160
LOW TEMP FLEX (°C)	TR10	MIN	ASTM D1329	-55	-55	-55	-55	-55	-65	N/A	-55	-55	-45	-55	-55
	TR70			-55	-55	-40	-40	-40	-40	N/A	-40	-55	-35	-55	-55
VOLUME RESISTIVITY (after life testing)	(Ω-CM)	MAX	MIL-DTL-83528C	0.01	0.01	0.015	0.015	0.01	0.01	0.01	0.008	0.015	0.01	0.01	0.015
VOLUME RESISTIVITY AFTER ELECTROMAGNETIC PULSE (EMP) EXPOSURE	(Ω-CM)	MAX	MIL-DTL-83528C	0.01	0.01	0.015	0.015	0.01	0.01	0.01	0.008	0.015	0.01	0.01	0.015
FLUID CHARACTERISTICS															
FLUID IMMERSION	-	-	MIL-DTL-83528C	N/S	N/S	SUR	SUR	N/S	SUR	N/S	N/S	N/S	N/S	N/S	N/S



ECR Material no.				ECR-213	ECR-214	ECR-215	ECR-216	ECR-217	ECR-218	ECR-219	ECR-222	ECR-223	
Filler Type				Ni/C	Ag/Al	Ni/C	Ag/Ni	Ag/Al	Ni/C	Ni/C	C	C	
Based Material				SIL	SIL	FSIL	EPDM	EPDM	EPDM	POLYURETHANE	EPDM	SIL	
OPERATING TEMP RANGE	°C	MIN	Test Method	-55	-55	-45	-40	-40	-40	-50	-55	-50	
		MAX		+150	+160	+125	+125	+125	+125	+160	+160	+160	
PHYSICAL PROPERTIES													
SPECIFIC GRAVITY	g/cc	± .25	ASTM D792	1.90	2	2.20	3.70	2.20	2.20	2.53	4	1.3	
HARDNESS	Shore A	± 7	ASTM D2240	60	75	70	75	75	75	93±3	80	70	
COMPRESSION/DEFLECTION	%	MIN	ASTM D575	3.5	2.5	3.0	3.5	3.0	2.0	2.0	2.5	2.0	
TENSILE STRENGTH	PSI	MIN	ASTM D412 (DIE C)	200	180	190	200	200	200	500	400	600	
ELONGATION	%	MIN	ASTM D412 (DIE C)	100	60	60	100	60	100	130	90	100	
		MAX		300	260	260	300	260	300	NA	290	300	
COMPRESSION SET	%	MAX	ASTM D395	30	30	40	40	40	40	40	60	40	
TEAR STRENGTH	PPI	MIN	ASTM D624 (DIE C)	35	35	40	60	50	50	50	60	50	
ELECTRICAL PROPERTIES													
VOLUME RESISTIVITY (as received)	(Ω-CM)	MAX	MIL-DTL-83528C	0.100	0.012	0.100	0.015	0.012	0.100	.35	20	5.0	
SHIELDING EFFECTIVENESS (200 KHz-10 GHz)	dB	MIN	MIL-DTL-83528C MIL-STD-285	100	100	100	100	95	75	NA	50	50	
200 KHz				—	—	—	—	—	—	—	—	—	—
100 MHz (E-Field)				100	100	100	100	100	80	NA	70	70	
500 MHz (E-Field)				100	100	100	100	90	80	NA	60	60	
2 GHz (Plane Wave)				100	100	100	100	90	70	NA	50	50	
10 GHz (Plane Wave)				100	100	100	100	90	70	NA	30	30	
ELECTRICAL STABILITY DURING VIBRATION (Ω-CM)	DURING	MAX	MIL-DTL-83528C	.100	0.015	.100	NA	NA	0.01	NA	NA	NA	
	AFTER			.100	0.012	.100	NA	NA	0.002	NA	NA	NA	
ELECTRICAL STABILITY AFTER BREAK	(Ω-CM)	MAX	MIL-DTL-83528C	.100	0.012	.100	NA	NA	0.01	N/A	NA	NA	
UPPER TEMPERATURE	(°C)	MAX	ASTM D1329	+125	+160	+125	+125	+160	+160	+125	+160	+160	
LOW TEMP FLEX (°C)	TR10	MIN	ASTM D1329	-55	-55	-55	-55	-55	-65	N/A	-55	-55	
	TR70			-55	-55	-40	-40	-40	-40	N/A	-40	-55	
VOLUME RESISTIVITY (after life testing)	(Ω-CM)	MAX	MIL-DTL-83528C	0.100	0.015	0.015	NA	NA	0.01	NA	NA	5.00	
VOLUME RESISTIVITY AFTER ELECTROMAGNETIC PULSE (EMP) EXPOSURE	(Ω-CM)	MAX	MIL-DTL-83528C	.100	0.015	0.015	NA	NA	0.01	NA	NA	NA	
FLUID CHARACTERISTICS													
FLUID IMMERSION	-	-	MIL-DTL-83528C	N/S	N/S	SUR	NA	NA	SUR	N/S	N/S	N/S	

BASED POLYMERS	FILLER	COMPOUND DESCRIPTION	ECR COMPOUNDS
SILICONE	Ag/Cu	Silver plated Copper filled	ECR-101
	Ag/Al	Silver plated Aluminum filled	ECR-102
	Ag	Medium Duro Pure Silver	ECR-105
	Ag	High Duro Pure Silver	ECR-108
	Ag	Low Duro Pure Silver	ECR-109
	Ag/Cu	High Duro Silver plated Copper filled	ECR-110
	Ag/Ni	Silver plated Nickel filled	ECR-111
	Ag/Glass	Silver plated Glass filled	ECR-112
	Ni/C	Nickel plated Graphite Filled	ECR-213
	Ag/Al	High Duro Silver plated Aluminum filled	ECR-214
FLUROSILICONE	Ag/Cu	Silver plated Copper filled	ECR-103
	Ag/Al	Silver plated Aluminum filled	ECR-104
	Ag	Pure Silver filled	ECR-106
	Ni/C	Nickel plated Graphite filled	ECR-215
EPDM	Ag/Ni	Silver plated Nickel filled	ECR-216
	Ag/Al	Silver plated Aluminum filled	ECR-217
	Ni/C	Nickel plated Graphite filled	ECR-218
POLYURETHANE	Ni/C	Nickel plated Graphite filled	ECR-219
VITON	C	Carbonyl plated Iron Filled	ECR-220



SHEET STOCKS	DIMENSIONS					
	0.020	0.032	0.045	0.062	0.090	0.125
P/N						
ECR101-SCSIL-XXXX-XXX	6X6	6X6	6X6	6X6	6X6	6X6
	9X9	9X9	9X9	9X9	9X9	9X9
	11 X 11	11 X 11	11 X 11	11 X 11	11 X 11	11 X 11
	18 X 18	18 X 18	18 X 18	18 X 18	18 X 18	18 X 18
ECR102-SASIL-XXXX-XXX	6X6	6X6	6X6	6X6	6X6	6X6
	9X9	9X9	9X9	9X9	9X9	9X9
	11 X 11	11 X 11	11 X 11	11 X 11	11 X 11	11 X 11
	18 X 18	18 X 18	18 X 18	18 X 18	18 X 18	18 X 18
ECR103-SCFSIL-XXXX-XXX	6X6	6X6	6X6	6X6	6X6	6X6
	9X9	9X9	9X9	9X9	9X9	9X9
	11 X 11	11 X 11	11 X 11	11 X 11	11 X 11	11 X 11
	18 X 18	18 X 18	18 X 18	18 X 18	18 X 18	18 X 18
ECR104-SAFSIL-XXXX-XXX	6X6	6X6	6X6	6X6	6X6	6X6
	9X9	9X9	9X9	9X9	9X9	9X9
	11 X 11	11 X 11	11 X 11	11 X 11	11 X 11	11 X 11
	18 X 18	18 X 18	18 X 18	18 X 18	18 X 18	18 X 18
ECR105-SSIL-XXXX-XXX	6X6	6X6	6X6	6X6	6X6	6X6
	9X9	9X9	9X9	9X9	9X9	9X9
	11 X 11	11 X 11	11 X 11	11 X 11	11 X 11	11 X 11
	18 X 18	18 X 18	18 X 18	18 X 18	18 X 18	18 X 18
ECR106-SFSIL-XXXX-XXX	6X6	6X6	6X6	6X6	6X6	6X6
	9X9	9X9	9X9	9X9	9X9	9X9
	11 X 11	11 X 11	11 X 11	11 X 11	11 X 11	11 X 11
	18 X 18	18 X 18	18 X 18	18 X 18	18 X 18	18 X 18
ECR110-SCHDSIL-XXXX-XXX	6X6	6X6	6X6	6X6	6X6	6X6
	9X9	9X9	9X9	9X9	9X9	9X9
	11 X 11	11 X 11	11 X 11	11 X 11	11 X 11	11 X 11
	18 X 18	18 X 18	18 X 18	18 X 18	18 X 18	18 X 18
ECR111-SNSIL-XXXX-XXX	6X6	6X6	6X6	6X6	6X6	6X6
	9X9	9X9	9X9	9X9	9X9	9X9
	11 X 11	11 X 11	11 X 11	11 X 11	11 X 11	11 X 11
	18 X 18	18 X 18	18 X 18	18 X 18	18 X 18	18 X 18
ECR112-SGSIL-XXXX-XXX	6X6	6X6	6X6	6X6	6X6	6X6
	9X9	9X9	9X9	9X9	9X9	9X9
	11 X 11	11 X 11	11 X 11	11 X 11	11 X 11	11 X 11
	18 X 18	18 X 18	18 X 18	18 X 18	18 X 18	18 X 18
ECR213-NICSIL-XXXX-XXX	6X6	6X6	6X6	6X6	6X6	6X6
	9X9	9X9	9X9	9X9	9X9	9X9
	11 X 11	11 X 11	11 X 11	11 X 11	11 X 11	11 X 11
	18 X 18	18 X 18	18 X 18	18 X 18	18 X 18	18 X 18
ECR215-NICFSIL-XXXX-XXX	6X6	6X6	6X6	6X6	6X6	6X6
	9X9	9X9	9X9	9X9	9X9	9X9
	11 X 11	11 X 11	11 X 11	11 X 11	11 X 11	11 X 11
	18 X 18	18 X 18	18 X 18	18 X 18	18 X 18	18 X 18
ECR214-SAHDSIL-XXXX-XXX	6X6	6X6	6X6	6X6	6X6	6X6
	9X9	9X9	9X9	9X9	9X9	9X9
	11 X 11	11 X 11	11 X 11	11 X 11	11 X 11	11 X 11
	18 X 18	18 X 18	18 X 18	18 X 18	18 X 18	18 X 18
ECR216-SNEPDM-XXXX-XXX	6X6	6X6	6X6	6X6	6X6	6X6
	9X9	9X9	9X9	9X9	9X9	9X9
	11 X 11	11 X 11	11 X 11	11 X 11	11 X 11	11 X 11
	18 X 18	18 X 18	18 X 18	18 X 18	18 X 18	18 X 18
ECR217-SAEPDM-XXXX-XXX	6X6	6X6	6X6	6X6	6X6	6X6
	9X9	9X9	9X9	9X9	9X9	9X9
	11 X 11	11 X 11	11 X 11	11 X 11	11 X 11	11 X 11
	18 X 18	18 X 18	18 X 18	18 X 18	18 X 18	18 X 18
ECR218-NICEPDM-XXXX-XXX	6X6	6X6	6X6	6X6	6X6	6X6
	9X9	9X9	9X9	9X9	9X9	9X9
	11 X 11	11 X 11	11 X 11	11 X 11	11 X 11	11 X 11
	18 X 18	18 X 18	18 X 18	18 X 18	18 X 18	18 X 18

Example: for 0.032" thick x 11W x 11L sheet (Silver Coated Copper Filled Silicone)

Order Part number: [ECR101-SCSIL-1111032](#)

NOTE:

SEND OR EMAIL YOUR RFQ TO: 1-888-327-7122 / [714-414-0977](tel:714-414-0977) .

EMAIL AT : engineering@emiconductiverubberllc.com



SHEET STOCKS P/N	PRICING (\$100 MINIMUM ORDER)					
	0.020	0.032	0.045	0.062	0.090	0.125
ECR101-SCSIL-XXXX-XXX	\$29	\$44	\$66	\$88	\$132	\$183
	\$66	\$99	\$148	\$197	\$296	\$411
	\$98	\$147	\$221	\$295	\$442	\$614
	\$263	\$395	\$592	\$789	\$1,184	\$1,645
ECR102-SASIL-XXXX-XXX	\$23	\$35	\$53	\$70	\$105	\$146
	\$53	\$79	\$118	\$158	\$237	\$329
	\$79	\$118	\$177	\$236	\$354	\$491
	\$211	\$316	\$474	\$632	\$947	\$1,316
ECR103-SCFSIL-XXXX-XXX	\$39	\$58	\$87	\$116	\$174	\$242
	\$87	\$130	\$196	\$261	\$391	\$544
	\$130	\$195	\$292	\$390	\$585	\$812
	\$348	\$522	\$783	\$1,044	\$1,566	\$2,174
ECR104-SAFSIL-XXXX-XXX	\$29	\$44	\$66	\$88	\$132	\$183
	\$66	\$99	\$148	\$197	\$296	\$411
	\$98	\$147	\$221	\$295	\$442	\$614
	\$263	\$395	\$592	\$789	\$1,184	\$1,645
ECR105-SSIL-XXXX-XXX	\$61	\$92	\$138	\$184	\$276	\$384
	\$138	\$207	\$311	\$414	\$622	\$863
	\$206	\$310	\$464	\$619	\$929	\$1,290
	\$553	\$829	\$1,243	\$1,658	\$2,487	\$3,454
ECR106-SFSIL-XXXX-XXX	\$77	\$116	\$174	\$232	\$348	\$483
	\$174	\$261	\$391	\$522	\$783	\$1,087
	\$260	\$390	\$585	\$780	\$1,169	\$1,624
	\$696	\$1,044	\$1,566	\$2,088	\$3,131	\$4,349
ECR110-SCHDSIL-XXXX-XXX	\$34	\$51	\$77	\$102	\$153	\$213
	\$77	\$115	\$173	\$230	\$345	\$480
	\$115	\$172	\$258	\$344	\$516	\$717
	\$307	\$460	\$691	\$921	\$1,381	\$1,919
ECR111-SNSIL-XXXX-XXX	\$33	\$50	\$75	\$99	\$149	\$207
	\$75	\$112	\$168	\$224	\$335	\$466
	\$111	\$167	\$251	\$334	\$501	\$696
	\$298	\$447	\$671	\$895	\$1,342	\$1,864
ECR112-SGSIL-XXXX-XXX	\$20	\$31	\$46	\$61	\$92	\$128
	\$46	\$69	\$104	\$138	\$207	\$288
	\$69	\$103	\$155	\$206	\$310	\$430
	\$184	\$276	\$414	\$553	\$829	\$1,151
ECR213-NICSIL-XXXX-XXX	\$6	\$9	\$13	\$18	\$26	\$37
	\$13	\$20	\$30	\$39	\$59	\$82
	\$20	\$29	\$44	\$59	\$88	\$123
	\$53	\$79	\$118	\$158	\$237	\$329
ECR215-NICFSIL-XXXX-XXX	\$10	\$15	\$22	\$29	\$44	\$61
	\$22	\$33	\$49	\$66	\$99	\$137
	\$33	\$49	\$74	\$98	\$147	\$205
	\$88	\$132	\$197	\$263	\$395	\$548
ECR214-SAHDSIL-XXXX-XXX	\$32	\$49	\$73	\$97	\$146	\$203
	\$73	\$110	\$164	\$219	\$329	\$457
	\$109	\$164	\$246	\$328	\$491	\$682
	\$292	\$439	\$658	\$877	\$1,316	\$1,827
ECR216-SNEPDM-XXXX-XXX	\$47	\$70	\$105	\$140	\$211	\$292
	\$105	\$158	\$237	\$316	\$474	\$658
	\$157	\$236	\$354	\$472	\$708	\$983
	\$421	\$632	\$947	\$1,263	\$1,895	\$2,631
ECR217-SAEPDM-XXXX-XXX	\$32	\$48	\$72	\$96	\$145	\$201
	\$72	\$109	\$163	\$217	\$326	\$452
	\$108	\$162	\$243	\$324	\$486	\$676
	\$289	\$434	\$651	\$868	\$1,303	\$1,809
ECR218-NICEPDM-XXXX-XXX	\$15	\$22	\$33	\$44	\$66	\$91
	\$33	\$49	\$74	\$99	\$148	\$206
	\$49	\$74	\$111	\$147	\$221	\$307
	\$132	\$197	\$296	\$395	\$592	\$822

Example: for 0.030" thick x 11W x 11L sheet (Silver Coated Copper Filled Silicone)

Order Part number: ECR101-SCSIL-1111030 ; PRICE=\$ 44/EACH

NOTE:

SEND OR EMAIL YOUR RFQ TO: 1-888-327-7122 or [714-414-0977](tel:714-414-0977) / [714-414-1179](tel:714-414-1179) .

EMAIL AT : engineering@emiconductiverubberllc.com

**NON-CONDUCTIVE MATERIAL GASKETS**

AFC COMPRESSED SHEET	FOOD GRADE NEOPRENE SHEET - FDA
SYNTHETIC FIBER - SBR BINDER	NEOPRENE NYLON INSERTED
AFC BLUE COMPRESSED SHEET ARAMID FIBER NITRILE BINDER	NEOPRENE - DUCK FABRIC INSERTED
BUTYL SHEET	NITRILE- NYLON INSERTED DIAPHRAGM
CARBON FIBER GASKET SHEET	NITRILE / BUNA-N SHEET
CLOSED CELL SPONGE	OPEN CELL NATURAL SPONGE
CLOTH-INSERTED RUBBER SHEET (BLACK)	PEROXIDE CURE EPDM
PLAIN CORK SHEET (NATURAL COLOR)	POLYMEROUS SYNTHETIC SHEET
CORK and NEOPRENE	RUBBER DIAPHRAGM
CORK and NITRILE (BUNA-N) SHEET	SOLID SILICONE RUBBER SHEET (RED)
CORK and RUBBER	SILICONE RUBBER - FIBERGLASS REINFORCED
EPDM - NYLON INSERTED DIAPHRAGM	SILICONE SPONGE
EPDM RUBBER (BLACK)	URETHANE SHEETING
EXPANDED PTFE SHEETING	VEGETABLE FIBER SHEET (TAN COLOR)
FIBER CORK SHEET	VIRGIN TEFLON® SHEET
FIBERGLASS CLOTH	COMMERCIAL GRADE FLUOROELASTOMER SHEET - VITON® (BLACK)
CARDED GLASS TACKY CLOTH Wire-Inserted and Non-Metallic	STYLE 1155 WIRE INSERTED RED RUBBER
FLEXIBLE GRAPHITE	AFC BLUE COMPRESSED SHEET ARAMID FIBER NITRILE BINDER
GRAPHITE FINISH - WIRE INSERT SHEET	FLEXIBLE GRAPHITE
HYPALON SHEET	SILICONE SPONGE
EPDM WHITE - FDA	SOLID SILICONE RUBBER SHEET (RED)
NATURAL GUM RUBBER (TAN)	SILICONE RUBBER - FIBERGLASS REINFORCED
FOOD GRADE NBR SHEET - FDA (WHITE)	NEOPRENE SHEET (BLACK)
NEOPRENE SHEET (BLACK)	POLYMEROUS SYNTHETIC SHEET
CLOTH-INSERTED NEOPRENE	SBR RUBBER SHEET (RED)
	WIRE INSERTED RED RUBBER



<u>GASKET DESCRIPTION</u>	P/N
EMI/RFI CIRCULAR STRIP	ECRXXX-CSTRIP001XXX
EMI/RFI O-RING GASKETS	ECRXXX-ORING002XXX
EMI/RFI "D" SHAPE GASKETS	ECRXXX-DSTRIP003XXX
EMI/RFI CONNECTOR GASKETS	ECRXXX-CNECT0004XXX
EMI/RFI O-RING GASKETS	ECRXXX-ORING005XXX
EMI/RFI GASKET, ELASTOMER, RECTANGULAR WITH "D" CROSS SECTION.	ECRXXX-RECTD006XXX
EMI/RFI GASKET, ELASTOMER, HOLLOW D-STRIP	ECRXXX-DSTRIP007XXX
EMI/RFI GASKET, ELASTOMER, P-STRIP	ECRXXX-PSTRIP008XXX
EMI/RFI GASKET, ELASTOMER, SOLID RECTANGULAR STRIP	ECRXXX-RSTRIP009XXX
EMI/RFI GASKET, ELASTOMER, CHANNEL U-STRIP	ECRXXX-USTRIP010XXX
EMI/RFI GASKET, ELASTOMER, HOLLOW O-STRIP	ECRXXX-OSTRIP011XXX
EMI/RFI GASKET, ELASTOMER, FLAT CIRCULAR WASHER	ECRXXX-CWASH012XXX
EMI/RFI, WAVEGUIDE	ECRXXX-WGUIDE013XXX
SHEET STOCK	ECRXXX-XXXYYYZZZ

NOTE:

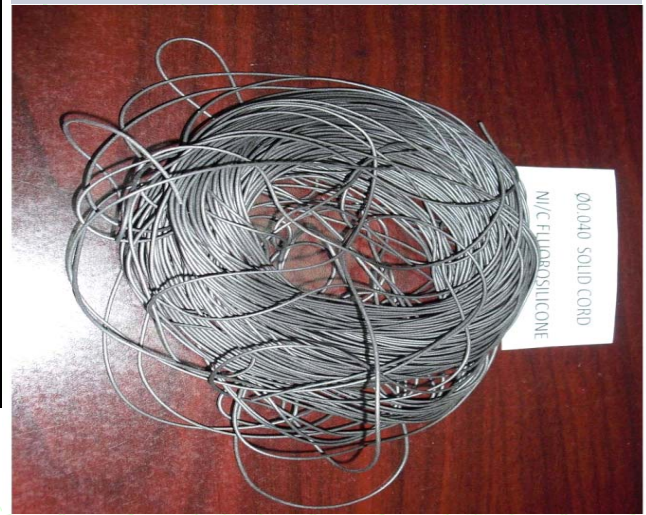
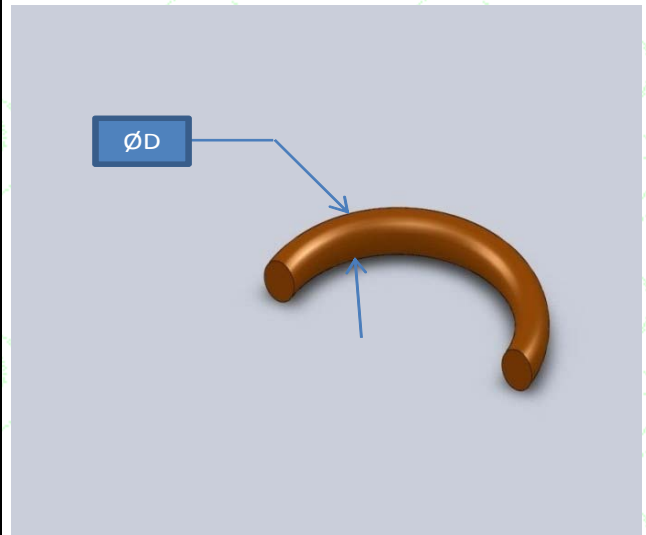
Available in all conductive elastomers. Please specify material when order.

WE DO CUSTOM DIE CUT, MOLDED, EXTRUDED, FORM-IN, VULCANIZED RUBBER TO METAL GASKETS IN ALL DIFFERENT

MATERIAL TO FIT YOUR APPLICATION. PLEASE CALL US at 1-888-327-7122 / 714.414.0977

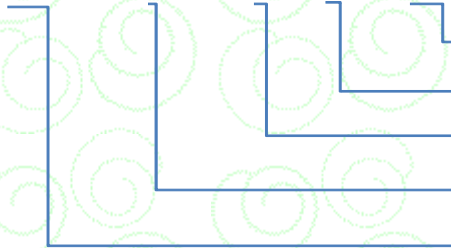
EMAIL at: engineering@emiconductiverubberllc.com

DASH NO.	ØD	P/N	X-SECTION AREA (cm**2)
001	.040 (1.02)	ECRXXX-CSTRIP001X001	0.008
002	.053 (1.35)	ECRXXX-CSTRIP001X002	0.014
003	.062 (1.57)	ECRXXX-CSTRIP001X003	0.02
004	.070 (1.78)	ECRXXX-CSTRIP001X004	0.025
005	.080 (2.03)	ECRXXX-CSTRIP001X005	0.032
006	.093 (2.36)	ECRXXX-CSTRIP001X006	0.043
007	.103 (2.62)	ECRXXX-CSTRIP001X007	0.053
008	.119 (3.02)	ECRXXX-CSTRIP001X008	0.072
009	.125 (3.18)	ECRXXX-CSTRIP001X009	0.079
010	.139 (3.53)	ECRXXX-CSTRIP001X010	0.099
011	.188 (4.78)	ECRXXX-CSTRIP001X011	0.179
012	.216 (5.49)	ECRXXX-CSTRIP001X012	0.236
013	.250 (6.35)	ECRXXX-CSTRIP001X013	0.316



ORDER INFORMATION:

ECR215- CSTRIP 001 NICFSIL 005



Ø0.080 (2.03)

Material : Ni/C Fluorosilicone

DASH

CIRCULAR STRIP

ECR-215 COMPOUND

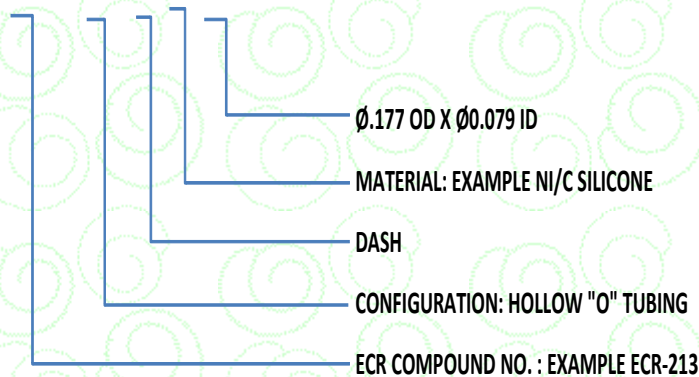
NOTE:

WE DO CUSTOM DIE CUT, MOLDED, EXTRUDED, FORM-IN, VULCANIZED RUBBER TO METAL GASKETS IN ALL DIFFERENT MATERIALS TO FIT YOUR APPLICATIONS. PLEASE CALL US at 1-888-327-7122 / 714-414-0977

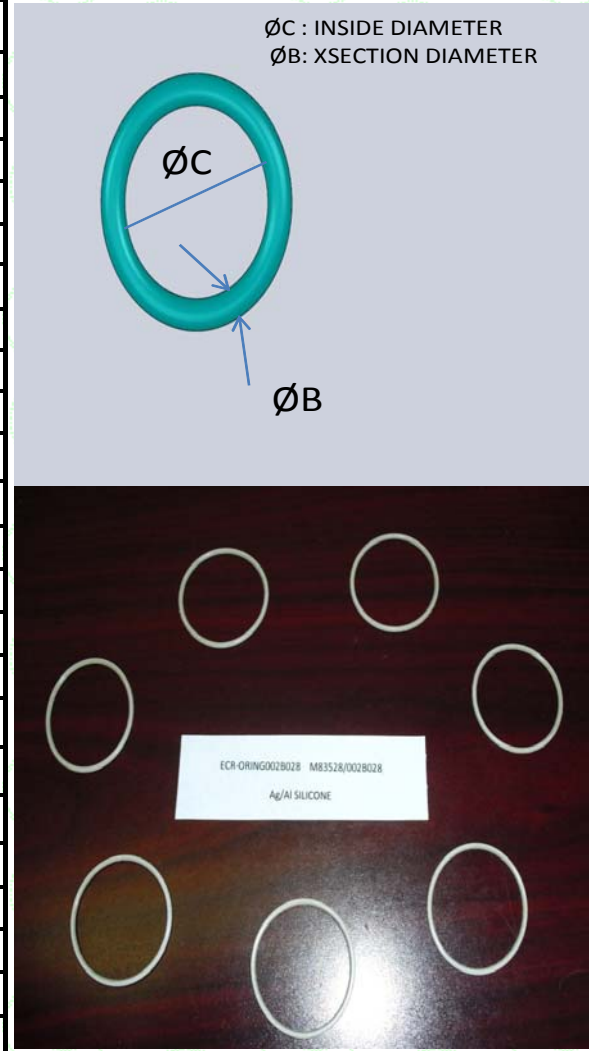
Email at : engineering@emiconductiverubberllc.com

Config	P/N	DIM	MAT	PRICING PER FOOT (MINIMUM \$250 OR 100 FT)									
				ECR-101	ECR-102	ECR-103	ECR-104	ECR-110	ECR-213	ECR-215	ECR-216	ECR-217	ECR-218
CORD	ECRXXX-CSTRIP001XXXXX001	0.040 OD	AVAILABLE ONLY IN ECR-101, ECR-102, ECR-103, ECR-104, ECR-213, ECR-215, ECR-216, ECR-218	\$3.31	\$3.24	\$3.40	\$3.28	\$3.36	\$2.06	\$3.09	\$4.48	\$4.33	\$4.15
	ECRXXX-CSTRIP001XXXXX002	0.053 OD		\$3.54	\$3.43	\$3.71	\$3.48	\$3.63	\$2.11	\$3.16	\$4.85	\$4.58	\$4.26
	ECRXXX-CSTRIP001XXXXX003	0.062 OD		\$3.75	\$3.60	\$3.99	\$3.67	\$3.87	\$2.15	\$3.23	\$5.18	\$4.80	\$4.36
	ECRXXX-CSTRIP001XXXXX004	0.070 OD		\$3.94	\$3.75	\$4.24	\$3.84	\$4.09	\$2.18	\$3.28	\$5.48	\$5.01	\$4.46
	ECRXXX-CSTRIP001XXXXX005	0.080 OD		\$4.22	\$3.98	\$4.62	\$4.10	\$4.43	\$2.24	\$3.37	\$5.93	\$5.32	\$4.60
	ECRXXX-CSTRIP001XXXXX006	0.093 OD		\$4.66	\$4.32	\$5.19	\$4.49	\$4.93	\$2.32	\$3.50	\$6.62	\$5.78	\$4.81
	ECRXXX-CSTRIP001XXXXX007	0.103 OD		\$5.03	\$4.62	\$5.68	\$4.83	\$5.37	\$2.40	\$3.62	\$7.21	\$6.18	\$4.99
	ECRXXX-CSTRIP001XXXXX008	0.119 OD		\$5.71	\$5.17	\$6.58	\$5.44	\$6.16	\$2.53	\$3.82	\$8.28	\$6.91	\$5.32
	ECRXXX-CSTRIP001XXXXX009	0.125 OD		\$5.99	\$5.39	\$6.95	\$5.69	\$6.49	\$2.58	\$3.91	\$8.72	\$7.22	\$5.46
	ECRXXX-CSTRIP001XXXXX010	0.139 OD		\$6.70	\$5.96	\$7.89	\$6.33	\$7.31	\$2.72	\$4.12	\$9.84	\$7.98	\$5.81
	ECRXXX-CSTRIP001XXXXX011	0.188 OD		\$9.76	\$8.41	\$11.94	\$9.09	\$10.89	\$3.32	\$5.06	\$14.69	\$11.27	\$7.31
	ECRXXX-CSTRIP001XXXXX012	0.216 OD		\$11.93	\$10.14	\$14.80	\$11.03	\$13.42	\$3.75	\$5.71	\$18.11	\$13.60	\$8.36
	ECRXXX-CSTRIP001XXXXX013	0.250 OD		\$14.96	\$12.56	\$18.81	\$13.76	\$16.95	\$4.34	\$6.63	\$22.89	\$16.86	\$9.84
TUBING	ECRXXX-OSTRIP011Y001	∅.125 OD X ∅0.045 ID	\$5.60	\$5.08	\$6.44	\$5.34	\$6.04	\$2.53	\$3.79	\$8.11	\$6.80	\$5.27	
	ECRXXX-OSTRIP011Y002	∅.156 OD X ∅0.050 ID	\$7.18	\$6.34	\$8.52	\$6.76	\$7.87	\$2.82	\$4.27	\$10.60	\$8.49	\$6.04	
	ECRXXX-OSTRIP011Y003	∅.250 OD X ∅0.125 ID	\$11.97	\$10.18	\$14.86	\$11.07	\$13.46	\$3.75	\$5.73	\$18.17	\$13.65	\$8.39	
	ECRXXX-OSTRIP011Y004	∅.312 OD X ∅0.192 ID	\$14.57	\$12.26	\$18.30	\$13.42	\$16.50	\$4.26	\$6.52	\$22.29	\$16.45	\$9.66	
	ECRXXX-OSTRIP011Y005	∅.375 OD X ∅0.250 ID	\$17.95	\$14.96	\$22.77	\$16.45	\$20.44	\$4.92	\$7.54	\$27.62	\$20.08	\$11.31	
	ECRXXX-OSTRIP011Y006	∅.125 OD X ∅0.062 ID	\$5.24	\$4.80	\$5.97	\$5.02	\$5.62	\$2.44	\$3.68	\$7.55	\$6.41	\$5.10	
	ECRXXX-OSTRIP011Y007	∅.103 OD X ∅0.040 ID	\$4.72	\$4.38	\$5.28	\$4.55	\$5.01	\$2.34	\$3.52	\$6.72	\$5.85	\$4.84	
	ECRXXX-OSTRIP011Y008	∅.177 OD X ∅0.079 ID	\$7.80	\$6.84	\$9.35	\$7.32	\$8.60	\$2.94	\$4.46	\$11.58	\$9.16	\$6.35	

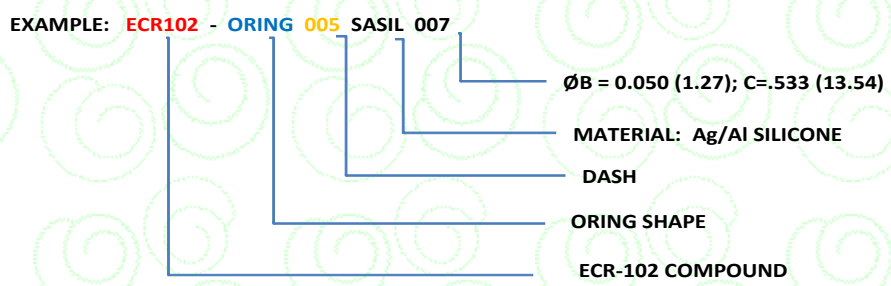
ECRXXX-OSTRIP 011 Y 008



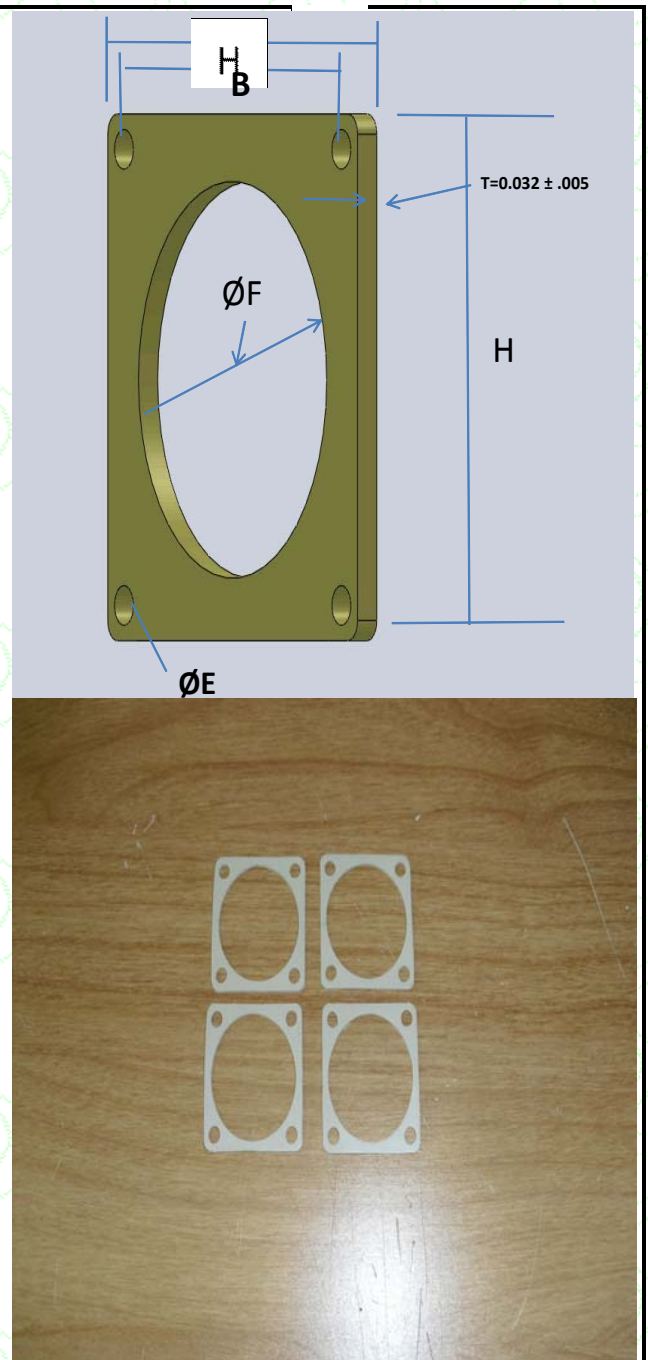
DASH NO.	ØB	C	P/N	X-SECTION AREA (cm**2)
001	.030 (.76)	.442 (11.23)	ECRXXX-ORING005X001	0.0046
002	.030 (.76)	.577 (14.66)	ECRXXX-ORING005X002	0.0046
003	.030 (.76)	.692 (17.58)	ECRXXX-ORING005X003	0.0046
004	.030 (.76)	.817 (20.75)	ECRXXX-ORING005X004	0.0046
005	.039 (.99)	.425 (10.80)	ECRXXX-ORING005X005	0.0077
006	.048 (1.22)	.295 (7.49)	ECRXXX-ORING005X006	0.0117
007	.050 (1.27)	.533 (13.54)	ECRXXX-ORING005X007	0.0127
008	.051 (1.30)	.446 (11.33)	ECRXXX-ORING005X008	0.0132
009	.057 (1.45)	.415 (10.54)	ECRXXX-ORING005X009	0.0165
010	.063 (1.60)	.541 (13.74)	ECRXXX-ORING005X010	0.0201
011	.063 (1.60)	.648 (16.46)	ECRXXX-ORING005X011	0.0201
012	.068 (1.73)	.847 (21.51)	ECRXXX-ORING005X012	0.0234
013	.068 (1.73)	1.182 (30.02)	ECRXXX-ORING005X013	0.0234
014	.068 (1.73)	3.165 (80.39)	ECRXXX-ORING005X014	0.0234
015	.070 (1.78)	.495 (12.57)	ECRXXX-ORING005X015	0.0248
016	.070 (1.78)	.610 (15.49)	ECRXXX-ORING005X016	0.0248
017	.070 (1.78)	.635 (16.13)	ECRXXX-ORING005X017	0.0248
018	.070 (1.78)	.667 (16.94)	ECRXXX-ORING005X018	0.0248
019	.070 (1.78)	.860 (21.84)	ECRXXX-ORING005X019	0.0248
020	.070 (1.78)	1.230 (31.24)	ECRXXX-ORING005X020	0.0248
021	.103 (2.62)	1.040 (26.42)	ECRXXX-ORING005X021	0.0538
022	.103 (2.62)	1.612 (40.94)	ECRXXX-ORING005X022	0.0538
023	.103 (2.62)	1.790 (45.47)	ECRXXX-ORING005X023	0.0538



NOTE:
 WE DO CUSTOM DIE CUT, MOLDED, EXTRUDED, FORM-IN, VULCANIZED RUBBER TO METAL GASKETS IN ALL DIFFERENT MATERIAL TO FIT YOUR APPLICATION. PLEASE CALL US at 1-888-327-7122 / 714-414-0977
 EMAIL at : engineering@emiconductiverubberllc.com

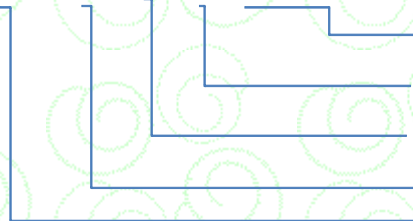


DASH NO.	B	ØF	H	ØE	P/N	X-SECTION AREA (cm**2)
001	.469 (11.91)	.375 (9.53)	.738 (18.75)	.141 (3.58)	ECRXXX-CNECT004X001	0.037
002	.594 (15.09)	.630 (16.00)	.840 (21.34)	.135 (3.43)	ECRXXX-CNECT004X002	0.022
003	.594 (15.09)	.568 (14.43)	.812 (20.62)	.125 (3.18)	ECRXXX-CNECT004X003	0.025
004	.594 (15.09)	.500 (12.70)	.875 (22.23)	.156 (3.96)	ECRXXX-CNECT004X004	0.039
005	.719 (18.26)	.750 (19.05)	.965 (24.51)	.135 (3.43)	ECRXXX-CNECT004X005	0.022
006	.719 (18.26)	.680 (17.27)	.937 (23.80)	.125 (3.18)	ECRXXX-CNECT004X006	0.027
007	.719 (18.26)	.625 (15.88)	1.000 (25.40)	.156 (3.96)	ECRXXX-CNECT004X007	0.039
008	.812 (20.62)	.875 (22.23)	1.060 (26.92)	.141 (3.58)	ECRXXX-CNECT004X008	0.019
009	.813 (20.65)	.750 (22.10)	1.094 (27.79)	.141 (3.58)	ECRXXX-CNECT004X009	0.036
010	.906 (23.01)	1.005 (25.53)	1.153 (29.29)	.135 (3.43)	ECRXXX-CNECT004X010	0.015
011	.906 (23.01)	.938 (23.83)	1.125 (28.58)	.125 (3.18)	ECRXXX-CNECT004X011	0.019
012	.906 (23.01)	.875 (22.23)	1.188 (30.18)	.156 (3.96)	ECRXXX-CNECT004X012	0.032
013	.969 (24.61)	1.135 (28.83)	1.258 (31.95)	.156 (3.96)	ECRXXX-CNECT004X013	0.013
014	.969 (24.61)	1.063 (27.00)	1.250 (31.75)	.125 (3.18)	ECRXXX-CNECT004X014	0.019
015	.969 (24.61)	1.000 (25.40)	1.281 (32.54)	.156 (3.96)	ECRXXX-CNECT004X015	0.029
016	1.062 (26.97)	1.260 (32.00)	1.351 (34.32)	.156 (3.96)	ECRXXX-CNECT004X016	0.009
017	1.062 (26.97)	1.189 (30.20)	1.343 (34.11)	.125 (3.18)	ECRXXX-CNECT004X017	0.016
018	1.062 (26.97)	1.135 (28.83)	1.375 (34.93)	.156 (3.96)	ECRXXX-CNECT004X018	0.025
019	1.156 (29.36)	1.375 (34.93)	1.500 (38.10)	.141 (3.58)	ECRXXX-CNECT004X019	0.013
020	1.156 (29.36)	1.312 (33.32)	1.467 (37.26)	.125 (3.18)	ECRXXX-CNECT004X020	0.016
021	1.156 (29.36)	1.250 (31.75)	1.500 (38.10)	.172 (4.37)	ECRXXX-CNECT004X021	0.016
022	1.250 (31.75)	1.500 (38.10)	1.625 (41.28)	.141 (3.58)	ECRXXX-CNECT004X022	0.026
023	1.250 (31.75)	1.437 (36.50)	1.562 (39.67)	.125 (3.18)	ECRXXX-CNECT004X023	0.013
024	1.250 (31.75)	1.375 (34.93)	1.625 (41.28)	.172 (4.37)	ECRXXX-CNECT004X024	0.013
025	1.375 (34.93)	1.625 (41.28)	1.750 (44.45)	.172 (4.37)	ECRXXX-CNECT004X025	0.026
026	1.375 (34.93)	1.563 (39.70)	1.703 (43.26)	.152 (3.86)	ECRXXX-CNECT004X026	0.013
027	1.375 (34.93)	1.500 (38.10)	1.750 (44.45)	.203 (5.16)	ECRXXX-CNECT004X027	0.015
028	1.500 (38.10)	1.750 (44.45)	1.875 (47.63)	.172 (4.37)	ECRXXX-CNECT004X028	0.016
029	1.562 (39.67)	1.750 (44.45)	2.000 (50.80)	.203 (5.16)	ECRXXX-CNECT004X029	0.013
030	1.750 (44.45)	2.000 (50.80)	2.250 (57.15)	.219 (5.56)	ECRXXX-CNECT004X030	0.026
031	1.938 (49.23)	2.250 (57.15)	2.500 (63.50)	.219 (5.56)	ECRXXX-CNECT004X031	0.026
032	2.188 (55.58)	2.500 (63.50)	2.750 (69.85)	.219 (5.56)	ECRXXX-CNECT004X032	0.026
033	2.375 (60.33)	2.781 (70.63)	3.000 (76.20)	.219 (5.56)	ECRXXX-CNECT004X033	0.023
034	2.625 (66.68)	3.031 (76.99)	3.250 (82.55)	.219 (5.56)	ECRXXX-CNECT004X034	0.023
035	.500 (12.70)	.437 (11.10)	.800 (20.32)	.135 (3.43)	ECRXXX-CNECT004X035	0.037
036	.500 (12.70)	.437 (11.10)	.687 (17.45)	.135 (3.43)	ECRXXX-CNECT004X036	0.026



ORDER INFORMATION:

ECR101- CNECT 004 SC SIL 005



ØF=0.375 (9.53); H=.738 (18.75)
ØE=.141 (3.58)

MATERIAL : AG/CU SILICONE

DASH

CONNECTOR GASKET

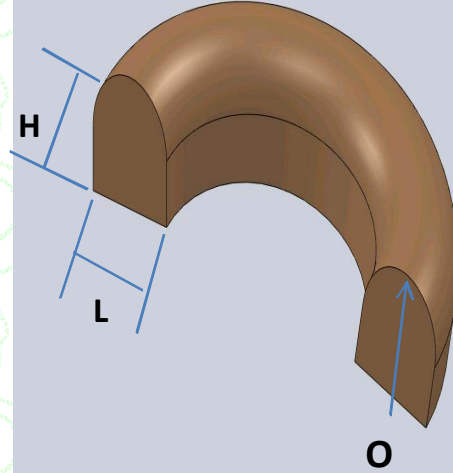
ECR-101 COMPOUND

NOTE:

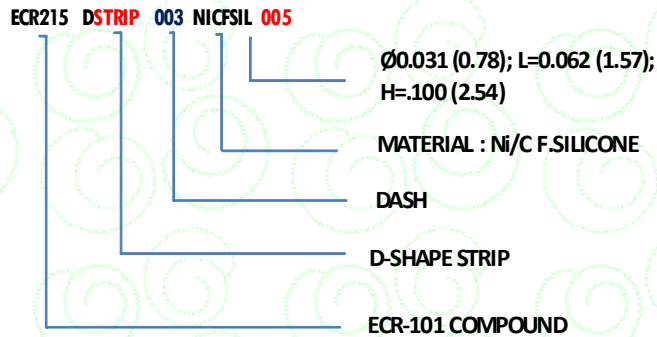
WE DO CUSTOM DIE CUT, MOLDED, EXTRUDED, FORM-IN, VULCANIZED RUBBER TO METAL GASKETS IN ALL DIFFERENT MATERIAL TO FIT YOUR APPLICATION. PLEASE CALL US at [1-888-327-7122/714.414.0977](tel:1-888-327-7122)

EMAIL at : engineering@emiconductiverubberllc.com

DASH NO.	Ø	L	H	P/N	X-SECTION AREA (cm ²)
001	.031 (0.78)	.062 (1.57)	.068 (1.73)	ECRXXX-DSTRIP003X001	0.025
002	.047 (1.19)	.094 (2.39)	.078 (1.98)	ECRXXX-DSTRIP003X002	0.041
003	.039 (0.99)	.078 (1.98)	.089 (2.26)	ECRXXX-DSTRIP003X003	0.041
004	.047 (1.19)	.094 (2.39)	.094 (2.39)	ECRXXX-DSTRIP003X004	0.050
005	.031 (0.78)	.062 (1.57)	.100 (2.54)	ECRXXX-DSTRIP003X005	0.037
006	.075 (1.91)	.150 (3.81)	.110 (2.79)	ECRXXX-DSTRIP003X006	0.091
007	.061 (1.55)	.122 (3.10)	.135 (3.43)	ECRXXX-DSTRIP003X007	0.097
008	.059 (1.49)	.118 (3.00)	.156 (3.96)	ECRXXX-DSTRIP003X008	0.109
009	.078 (1.98)	.156 (3.96)	.156 (3.96)	ECRXXX-DSTRIP003X009	0.140
010	.089 (2.26)	.178 (4.52)	.175 (4.45)	ECRXXX-DSTRIP003X010	0.179
011	.094 (2.39)	.188 (4.78)	.188 (4.78)	ECRXXX-DSTRIP003X011	0.203
012	.125 (3.18)	.250 (6.35)	.250 (6.35)	ECRXXX-DSTRIP003X012	0.360



ORDER INFORMATION:



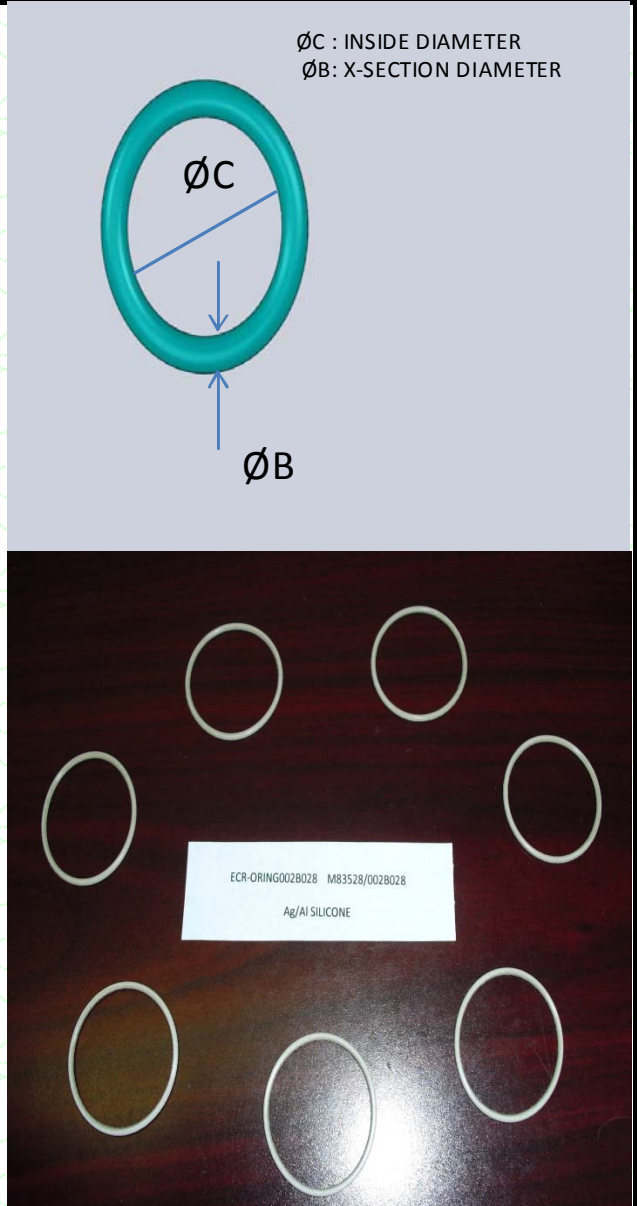
NOTE:

WE DO CUSTOM DIE CUT, MOLDED, EXTRUDED, FORM-IN, VULCANIZED RUBBER TO METAL GASKETS IN ALL DIFFERENT MATERIAL TO FIT YOUR APPLICATION. PLEASE CALL US at 1-888-327-7122/714-414-0977

EMAIL at : engineering@emiconductiverubberllc.com

Config	PART NUMBER	DIM	PRICING (PER FT) - \$250 MINIMUM ORDER											
			ECR-101 (Ag/Cu Sil)	ECR-102 (Ag/Al Sil)	ECR-103 (Ag/Cu F.Sil)	ECR-104 (Ag/Al F.Sil)	ECR-110 (Ag/Cu HD Sil)	ECR-111 (Ag/Ni Sil)	ECR-112 (Ag/GlassSil)	ECR-213 (Ni/C Sil)	ECR-215 Ni/C F.Sil)	ECR-216 (Ag/Ni EPDM)	ECR-217 (Ag/Al EPDM)	ECR-218 (Ni/C EPDM)
SOLID "D" STRIP	ECRXXX-DSTRIP003XXX001	0.031X0.062X0.068	\$4.98	\$4.75	\$5.30	\$4.98	\$5.15	\$5.12	\$4.56	\$3.19	\$3.29	\$5.56	\$5.04	\$4.48
	ECRXXX-DSTRIP003XXX002	0.047X0.094X0.078	\$5.65	\$5.26	\$6.18	\$5.65	\$5.92	\$5.87	\$4.95	\$3.32	\$3.48	\$6.61	\$5.73	\$4.81
	ECRXXX-DSTRIP003XXX003	0.039X0.078X0.089	\$5.63	\$5.24	\$6.15	\$5.63	\$5.90	\$5.84	\$4.93	\$3.32	\$3.48	\$6.57	\$5.71	\$4.79
	ECRXXX-DSTRIP003XXX004	0.047X0.094X0.094	\$6.05	\$5.57	\$6.71	\$6.05	\$6.39	\$6.33	\$5.18	\$3.40	\$3.60	\$7.24	\$6.16	\$5.00
	ECRXXX-DSTRIP003XXX005	0.031X0.062X0.100	\$5.50	\$5.15	\$5.98	\$5.50	\$5.75	\$5.70	\$4.86	\$3.29	\$3.44	\$6.37	\$5.58	\$4.73
	ECRXXX-DSTRIP003XXX006	0.075X0.15X0.11	\$7.65	\$6.79	\$8.82	\$7.65	\$8.26	\$8.13	\$6.09	\$3.71	\$4.07	\$9.76	\$7.83	\$5.78
	ECRXXX-DSTRIP003XXX007	0.061X0.122X0.135	\$7.85	\$6.94	\$9.09	\$7.85	\$8.49	\$8.37	\$6.21	\$3.75	\$4.13	\$10.09	\$8.05	\$5.88
	ECRXXX-DSTRIP003XXX008	0.059X0.118X0.156	\$8.40	\$7.36	\$9.81	\$8.40	\$9.13	\$8.98	\$6.52	\$3.86	\$4.29	\$10.95	\$8.62	\$6.15
	ECRXXX-DSTRIP003XXX009	0.078X0.156X0.156	\$9.65	\$8.32	\$11.47	\$9.65	\$10.59	\$10.40	\$7.24	\$4.10	\$4.66	\$12.92	\$9.94	\$6.76
	ECRXXX-DSTRIP003XXX010	0.089X0.178X0.175	\$11.14	\$9.46	\$13.44	\$11.14	\$12.33	\$12.09	\$8.09	\$4.40	\$5.09	\$15.28	\$11.51	\$7.49
	ECRXXX-DSTRIP003XXX011	0.094X0.188X0.188	\$12.19	\$10.26	\$14.82	\$12.19	\$13.55	\$13.28	\$8.69	\$4.60	\$5.40	\$16.93	\$12.60	\$8.00
	ECRXXX-DSTRIP003XXX012	0.125X0.250X0.250	\$18.48	\$15.07	\$23.14	\$18.48	\$20.89	\$20.41	\$12.30	\$5.83	\$7.25	\$26.87	\$19.22	\$11.08
HOLLOW "D" TUBING	ECRXXX-DSTRIP007XXX001	.156 X 0.078 X 0.078 X 0.045	\$8.61	\$7.52	\$10.09	\$8.61	\$9.38	\$9.22	\$6.64	\$3.90	\$4.35	\$11.28	\$8.84	\$6.25
	ECRXXX-DSTRIP007XXX002	.187 X 0.093 X 0.093 X 0.050	\$10.36	\$8.86	\$12.41	\$10.36	\$11.42	\$11.21	\$7.65	\$4.24	\$4.87	\$14.05	\$10.68	\$7.11
	ECRXXX-DSTRIP007XXX003	.312 X 0.156 X 0.156 X 0.062	\$18.30	\$14.93	\$22.91	\$18.30	\$20.69	\$20.21	\$12.20	\$5.80	\$7.20	\$26.60	\$19.04	\$10.99
	ECRXXX-DSTRIP007XXX004	.312 X 0.156 X 0.112 X 0.062	\$17.52	\$14.33	\$21.87	\$17.52	\$19.77	\$19.32	\$11.75	\$5.64	\$6.96	\$25.36	\$18.21	\$10.61
	ECRXXX-DSTRIP007XXX005	.312 X 0.200 X 0.112 X 0.062	\$18.92	\$15.40	\$23.73	\$18.92	\$21.41	\$20.91	\$12.55	\$5.92	\$7.38	\$27.57	\$19.68	\$11.29
	ECRXXX-DSTRIP007XXX006	.487 X 0.080 X 0.244 X 0.080	\$27.25	\$21.77	\$34.74	\$27.25	\$31.13	\$30.35	\$17.33	\$7.55	\$9.82	\$40.74	\$28.44	\$15.37
	ECRXXX-DSTRIP007XXX007	.250 X 0.125 X 0.125 X 0.065	\$15.13	\$12.51	\$18.72	\$15.13	\$16.99	\$16.62	\$10.38	\$5.18	\$6.27	\$21.59	\$15.70	\$9.44

DASH NO.	ØB	C	P/N	X-SECTION AREA (cm**2)
007	.070 (1.78)	.145 (3.68)	ECRXXX-ORING002X007	0.025
011	.070 (1.78)	.301 (7.65)	ECRXXX-ORING002X011	0.025
012	.070 (1.78)	.364 (9.25)	ECRXXX-ORING002X012	0.025
013	.070 (1.78)	.426 (10.82)	ECRXXX-ORING002X013	0.025
014	.070 (1.78)	.489 (12.42)	ECRXXX-ORING002X014	0.025
015	.070 (1.78)	.551 (13.99)	ECRXXX-ORING002X015	0.025
017	.070 (1.78)	.676 (17.17)	ECRXXX-ORING002X017	0.025
018	.070 (1.78)	.739 (18.77)	ECRXXX-ORING002X018	0.025
019	.070 (1.78)	.801 (20.34)	ECRXXX-ORING002X019	0.025
020	.070 (1.78)	.864 (21.94)	ECRXXX-ORING002X020	0.025
021	.070 (1.78)	.926 (23.52)	ECRXXX-ORING002X021	0.025
022	.070 (1.78)	.989 (25.12)	ECRXXX-ORING002X022	0.025
024	.070 (1.78)	1.114 (28.30)	ECRXXX-ORING002X024	0.025
026	.070 (1.78)	1.239 (31.47)	ECRXXX-ORING002X026	0.025
028	.070 (1.78)	1.364 (34.65)	ECRXXX-ORING002X028	0.025
114	.103 (2.62)	.612 (15.54)	ECRXXX-ORING002X114	0.054
115	.103 (2.62)	.676 (17.17)	ECRXXX-ORING002X115	0.054
117	.103 (2.62)	.799 (20.29)	ECRXXX-ORING002X117	0.054
126	.103 (2.62)	1.362 (34.59)	ECRXXX-ORING002X126	0.054
128	.103 (2.62)	1.487 (37.77)	ECRXXX-ORING002X128	0.054
132	.103 (2.62)	1.737 (44.12)	ECRXXX-ORING002X132	0.054
134	.103 (2.62)	1.862 (47.30)	ECRXXX-ORING002X134	0.054
142	.103 (2.62)	2.362 (59.99)	ECRXXX-ORING002X142	0.054
145	.103 (2.62)	2.550 (64.77)	ECRXXX-ORING002X145	0.054
155	.103 (2.62)	3.987 (101.27)	ECRXXX-ORING002X155	0.054



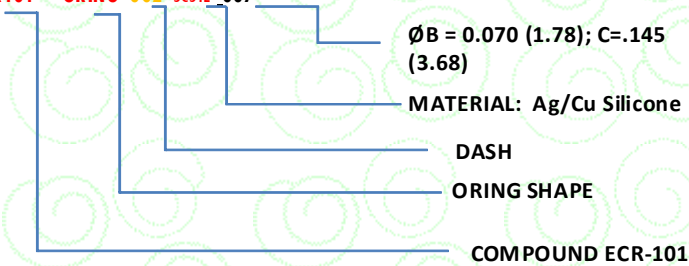
NOTE:

WE DO CUSTOM DIE CUT, MOLDED, EXTRUDED, FORM-IN, VULCANIZED RUBBER TO METAL GASKETS IN ALL DIFFERENT MATERIAL TO FIT YOUR APPLICATION. PLEASE CALL US at 1-888-327-7122 / 714-414-0977

EMAIL at: engineering@emiconductiverubberllc.com

ORDER INFORMATION:

EXAMPLE: **ECR101 - ORING 002 SCSIL 007**

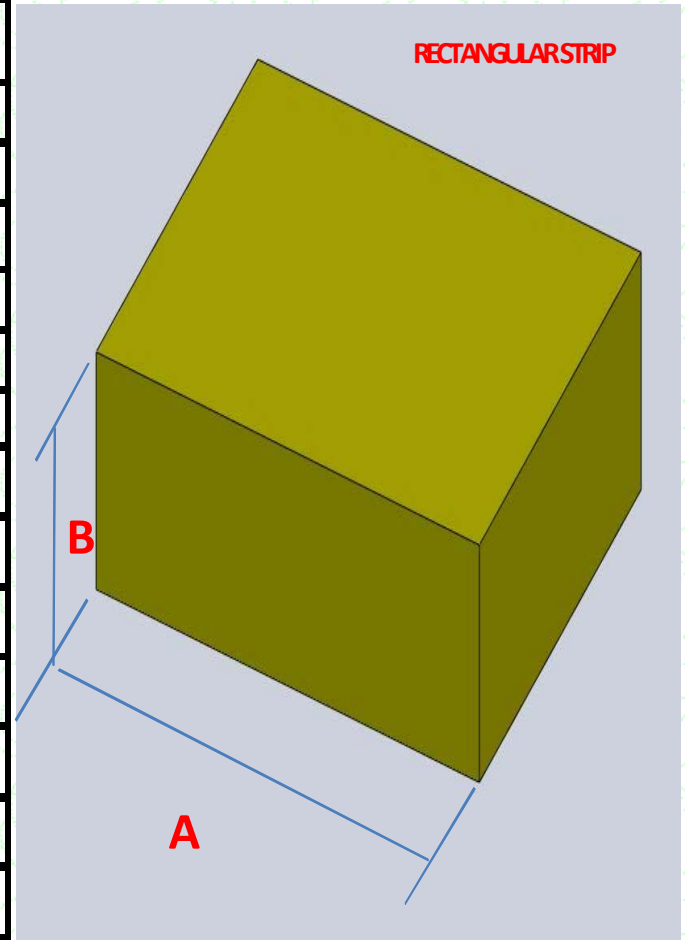




DESCRIPTION	P/N	PRICING PER O-RING (NO MINIMUM)													
		ECR-101	ECR-102	ECR-103	ECR-104	ECR-105	ECR-106	ECR-110	ECR-111	ECR-112	ECR-213	ECR-215	ECR-216	ECR-217	ECR-218
Ø0.070" XSECTION X .145" ID	ECRXXX-ORING002X007	\$5.53	\$6.87	\$6.70	\$7.03	\$7.63	\$7.87	\$6.70	\$5.53	\$6.70	\$2.53	\$3.53	\$7.03	\$7.37	\$4.70
Ø0.070" XSECTION X .301" ID	ECRXXX-ORING002X011	\$5.91	\$7.25	\$7.08	\$7.41	\$8.01	\$8.25	\$7.08	\$5.91	\$7.08	\$2.91	\$3.91	\$7.41	\$7.75	\$5.08
Ø0.070" XSECTION X .364" ID	ECRXXX-ORING002X012	\$6.06	\$7.40	\$7.23	\$7.56	\$8.16	\$8.40	\$7.23	\$6.06	\$7.23	\$3.06	\$4.06	\$7.56	\$7.90	\$5.23
Ø0.070" XSECTION X .426" ID	ECRXXX-ORING002X013	\$6.22	\$7.56	\$7.39	\$7.72	\$8.32	\$8.56	\$7.39	\$6.22	\$7.39	\$3.22	\$4.22	\$7.72	\$8.06	\$5.39
Ø0.070" XSECTION X .489" ID	ECRXXX-ORING002X014	\$6.37	\$7.71	\$7.54	\$7.87	\$8.47	\$8.71	\$7.54	\$6.37	\$7.54	\$3.37	\$4.37	\$7.87	\$8.21	\$5.54
Ø0.070" XSECTION X .551" ID	ECRXXX-ORING002X015	\$6.52	\$7.86	\$7.69	\$8.02	\$8.62	\$8.86	\$7.69	\$6.52	\$7.69	\$3.52	\$4.52	\$8.02	\$8.36	\$5.69
Ø0.070" XSECTION X .676" ID	ECRXXX-ORING002X017	\$6.83	\$8.17	\$8.00	\$8.33	\$8.93	\$9.17	\$8.00	\$6.83	\$8.00	\$3.83	\$4.83	\$8.33	\$8.67	\$6.00
Ø0.070" XSECTION X .739" ID	ECRXXX-ORING002X018	\$6.99	\$8.33	\$8.16	\$8.49	\$9.09	\$9.33	\$8.16	\$6.99	\$8.16	\$3.99	\$4.99	\$8.49	\$8.83	\$6.16
Ø0.070" XSECTION X .801" ID	ECRXXX-ORING002X019	\$7.14	\$8.48	\$8.31	\$8.64	\$9.24	\$9.48	\$8.31	\$7.14	\$8.31	\$4.14	\$5.14	\$8.64	\$8.98	\$6.31
Ø0.070" XSECTION X .864" ID	ECRXXX-ORING002X020	\$7.29	\$8.63	\$8.46	\$8.79	\$9.39	\$9.63	\$8.46	\$7.29	\$8.46	\$4.29	\$5.29	\$8.79	\$9.13	\$6.46
Ø0.070" XSECTION X .926" ID	ECRXXX-ORING002X021	\$7.44	\$8.78	\$8.61	\$8.94	\$9.54	\$9.78	\$8.61	\$7.44	\$8.61	\$4.44	\$5.44	\$8.94	\$9.28	\$6.61
Ø0.070" XSECTION X .989" ID	ECRXXX-ORING002X022	\$7.60	\$8.94	\$8.77	\$9.10	\$9.70	\$9.94	\$8.77	\$7.60	\$8.77	\$4.60	\$5.60	\$9.10	\$9.44	\$6.77
Ø0.070" XSECTION X 1.114" ID	ECRXXX-ORING002X024	\$7.91	\$9.25	\$9.08	\$9.41	\$10.01	\$10.25	\$9.08	\$7.91	\$9.08	\$4.91	\$5.91	\$9.41	\$9.75	\$7.08
Ø0.070" XSECTION X 1.239" ID	ECRXXX-ORING002X026	\$8.21	\$9.55	\$9.38	\$9.71	\$10.31	\$10.55	\$9.38	\$8.21	\$9.38	\$5.21	\$6.21	\$9.71	\$10.05	\$7.38
Ø0.070" XSECTION X 1.364" ID	ECRXXX-ORING002X028	\$8.52	\$9.86	\$9.69	\$10.02	\$10.62	\$10.86	\$9.69	\$8.52	\$9.69	\$5.52	\$6.52	\$10.02	\$10.36	\$7.69
Ø0.103" XSECTION X .612" ID	ECRXXX-ORING002X114	\$8.80	\$10.14	\$9.97	\$10.30	\$10.90	\$11.14	\$9.97	\$8.80	\$9.97	\$5.80	\$6.80	\$10.30	\$10.64	\$7.97
Ø0.103" XSECTION X .676" ID	ECRXXX-ORING002X115	\$9.14	\$10.48	\$10.31	\$10.64	\$11.24	\$11.48	\$10.31	\$9.14	\$10.31	\$6.14	\$7.14	\$10.64	\$10.98	\$8.31
Ø0.103" XSECTION X .799" ID	ECRXXX-ORING002X117	\$9.79	\$11.13	\$10.96	\$11.29	\$11.89	\$12.13	\$10.96	\$9.79	\$10.96	\$6.79	\$7.79	\$11.29	\$11.63	\$8.96
Ø0.103" XSECTION X 1.362" ID	ECRXXX-ORING002X126	\$12.79	\$14.13	\$13.96	\$14.29	\$14.89	\$15.13	\$13.96	\$12.79	\$13.96	\$9.79	\$10.79	\$14.29	\$14.63	\$11.96
Ø0.103" XSECTION X 1.487" ID	ECRXXX-ORING002X128	\$13.45	\$14.79	\$14.62	\$14.95	\$15.55	\$15.79	\$14.62	\$13.45	\$14.62	\$10.45	\$11.45	\$14.95	\$15.29	\$12.62
Ø0.103" XSECTION X 1.737" ID	ECRXXX-ORING002X132	\$14.78	\$16.12	\$15.95	\$16.28	\$16.88	\$17.12	\$15.95	\$14.78	\$15.95	\$11.78	\$12.78	\$16.28	\$16.62	\$13.95
Ø0.103" XSECTION X 1.862" ID	ECRXXX-ORING002X134	\$15.44	\$16.78	\$16.61	\$16.94	\$17.54	\$17.78	\$16.61	\$15.44	\$16.61	\$12.44	\$13.44	\$16.94	\$17.28	\$14.61
Ø0.103" XSECTION X 2.362" ID	ECRXXX-ORING002X142	\$18.10	\$19.44	\$19.27	\$19.60	\$20.20	\$20.44	\$19.27	\$18.10	\$19.27	\$15.10	\$16.10	\$19.60	\$19.94	\$17.27
Ø0.103" XSECTION X 2.550" ID	ECRXXX-ORING002X145	\$19.10	\$20.44	\$20.27	\$20.60	\$21.20	\$21.44	\$20.27	\$19.10	\$20.27	\$16.10	\$17.10	\$20.60	\$20.94	\$18.27
Ø0.103" XSECTION X 3.987" ID	ECRXXX-ORING002X155	\$26.74	\$28.08	\$27.91	\$28.24	\$28.84	\$29.08	\$27.91	\$26.74	\$27.91	\$23.74	\$24.74	\$28.24	\$28.58	\$25.91
Ø0.030" XSECTION X 0.442" ID	ECRXXX-ORING005X001	\$5.21	\$6.55	\$6.38	\$6.71	\$7.31	\$7.55	\$6.38	\$5.21	\$6.38	\$2.21	\$3.21	\$6.71	\$7.05	\$4.38
Ø0.030" XSECTION X 0.577" ID	ECRXXX-ORING005X002	\$5.27	\$6.61	\$6.44	\$6.77	\$7.37	\$7.61	\$6.44	\$5.27	\$6.44	\$2.27	\$3.27	\$6.77	\$7.11	\$4.44
Ø0.030" XSECTION X 0.692" ID	ECRXXX-ORING005X003	\$5.32	\$6.66	\$6.49	\$6.82	\$7.42	\$7.66	\$6.49	\$5.32	\$6.49	\$2.32	\$3.32	\$6.82	\$7.16	\$4.49
Ø0.030" XSECTION X 0.817" ID	ECRXXX-ORING005X004	\$5.38	\$6.72	\$6.55	\$6.88	\$7.48	\$7.72	\$6.55	\$5.38	\$6.55	\$2.38	\$3.38	\$6.88	\$7.22	\$4.55
Ø0.039" XSECTION X 0.425" ID	ECRXXX-ORING005X005	\$5.35	\$6.69	\$6.52	\$6.85	\$7.45	\$7.69	\$6.52	\$5.35	\$6.52	\$2.35	\$3.35	\$6.85	\$7.19	\$4.52
Ø0.048" XSECTION X 0.295" ID	ECRXXX-ORING005X006	\$5.40	\$6.74	\$6.57	\$6.90	\$7.50	\$7.74	\$6.57	\$5.40	\$6.57	\$2.40	\$3.40	\$6.90	\$7.24	\$4.57
Ø0.050" XSECTION X 0.533" ID	ECRXXX-ORING005X007	\$5.73	\$7.07	\$6.90	\$7.23	\$7.83	\$8.07	\$6.90	\$5.73	\$6.90	\$2.73	\$3.73	\$7.23	\$7.57	\$4.90
Ø0.051" XSECTION X 0.446" ID	ECRXXX-ORING005X008	\$5.65	\$6.99	\$6.82	\$7.15	\$7.75	\$7.99	\$6.82	\$5.65	\$6.82	\$2.65	\$3.65	\$7.15	\$7.49	\$4.82
Ø0.057" XSECTION X 0.415" ID	ECRXXX-ORING005X009	\$5.77	\$7.11	\$6.94	\$7.27	\$7.87	\$8.11	\$6.94	\$5.77	\$6.94	\$2.77	\$3.77	\$7.27	\$7.61	\$4.94
Ø0.063" XSECTION X 0.541" ID	ECRXXX-ORING005X010	\$6.20	\$7.54	\$7.37	\$7.70	\$8.30	\$8.54	\$7.37	\$6.20	\$7.37	\$3.20	\$4.20	\$7.70	\$8.04	\$5.37
Ø0.063" XSECTION X 0.648" ID	ECRXXX-ORING005X011	\$6.29	\$7.63	\$7.46	\$7.79	\$8.39	\$8.63	\$7.46	\$6.29	\$7.46	\$3.29	\$4.29	\$7.79	\$8.13	\$5.46
Ø0.068" XSECTION X 0.847" ID	ECRXXX-ORING005X012	\$7.12	\$8.46	\$8.29	\$8.62	\$9.22	\$9.46	\$8.29	\$7.12	\$8.29	\$4.12	\$5.12	\$8.62	\$8.96	\$6.29
Ø0.068" XSECTION X 1.182" ID	ECRXXX-ORING005X013	\$7.90	\$9.24	\$9.07	\$9.40	\$10.00	\$10.24	\$9.07	\$7.90	\$9.07	\$4.90	\$5.90	\$9.40	\$9.74	\$7.07
Ø0.068" XSECTION X 3.165" ID	ECRXXX-ORING005X014	\$7.86	\$9.20	\$9.03	\$9.36	\$9.96	\$10.20	\$9.03	\$7.86	\$9.03	\$4.86	\$5.86	\$9.36	\$9.70	\$7.03
Ø0.070" XSECTION X .495" ID	ECRXXX-ORING005X015	\$6.39	\$7.73	\$7.56	\$7.89	\$8.49	\$8.73	\$7.56	\$6.39	\$7.56	\$3.39	\$4.39	\$7.89	\$8.23	\$5.56
Ø0.070" XSECTION X .610" ID	ECRXXX-ORING005X016	\$6.67	\$8.01	\$7.84	\$8.17	\$8.77	\$9.01	\$7.84	\$6.67	\$7.84	\$3.67	\$4.67	\$8.17	\$8.51	\$5.84
Ø0.070" XSECTION X .635" ID	ECRXXX-ORING005X017	\$6.73	\$8.07	\$7.90	\$8.23	\$8.83	\$9.07	\$7.90	\$6.73	\$7.90	\$3.73	\$4.73	\$8.23	\$8.57	\$5.90
Ø0.070" XSECTION X .667" ID	ECRXXX-ORING005X018	\$6.81	\$8.15	\$7.98	\$8.31	\$8.91	\$9.15	\$7.98	\$6.81	\$7.98	\$3.81	\$4.81	\$8.31	\$8.65	\$5.98
Ø0.070" XSECTION X .860" ID	ECRXXX-ORING005X019	\$7.28	\$8.62	\$8.45	\$8.78	\$9.38	\$9.62	\$8.45	\$7.28	\$8.45	\$4.28	\$5.28	\$8.78	\$9.12	\$6.45
Ø0.070" XSECTION X 1.230" ID	ECRXXX-ORING005X020	\$8.19	\$9.53	\$9.36	\$9.69	\$10.29	\$10.53	\$9.36	\$8.19	\$9.36	\$5.19	\$6.19	\$9.69	\$10.03	\$7.36
Ø0.103" XSECTION X 1.040" ID	ECRXXX-ORING005X021	\$5.22	\$6.56	\$6.39	\$6.72	\$7.32	\$7.56	\$6.39	\$5.22	\$6.39	\$2.22	\$3.22	\$6.72	\$7.06	\$4.39
Ø0.103" XSECTION X 1.612" ID	ECRXXX-ORING005X022	\$14.11	\$15.45	\$15.28	\$15.61	\$16.21	\$16.45	\$15.28	\$14.11	\$15.28	\$11.11	\$12.11	\$15.61	\$15.95	\$13.28
Ø0.103" XSECTION X 1.790" ID	ECRXXX-ORING005X023	\$15.06	\$16.40	\$16.23	\$16.56	\$17.16	\$17.40	\$16.23	\$15.06	\$16.23	\$12.06	\$13.06	\$16.56	\$16.90	\$14.23



DASH NO.	A	B	P/N	X-SECTION AREA (mm ²)
001	0.063 (1.60)	0.042 (1.07)	ECR00X-RSTRIP009X001	0.017
002	0.095 (2.41)	0.062 (1.57)	ECR00X-RSTRIP009X002	0.038
003	0.120 (3.05)	0.075 (1.91)	ECR00X-RSTRIP009X003	0.058
004	0.125 (3.18)	0.062 (1.57)	ECR00X-RSTRIP009X004	0.050
005	0.156 (3.96)	0.062 (1.57)	ECR00X-RSTRIP009X005	0.062
006	0.250 (6.35)	0.062 (1.57)	ECR00X-RSTRIP009X006	0.100
007	0.500 (12.70)	0.075 (1.91)	ECR00X-RSTRIP009X007	0.242
008	0.500 (12.70)	0.125 (3.18)	ECR00X-RSTRIP009X008	0.403
009	0.500 (12.70)	0.188 (4.78)	ECR00X-RSTRIP009X009	0.606
010	0.750 (19.05)	0.062 (1.57)	ECR00X-RSTRIP009X010	0.300
011	0.880 (22.35)	0.062 (1.57)	ECR00X-RSTRIP009X011	0.352
012	1.000 (25.40)	0.250 (6.35)	ECR00X-RSTRIP009X012	1.613
013	1.180 (29.97)	0.062 (1.57)	ECR00X-RSTRIP009X013	0.472

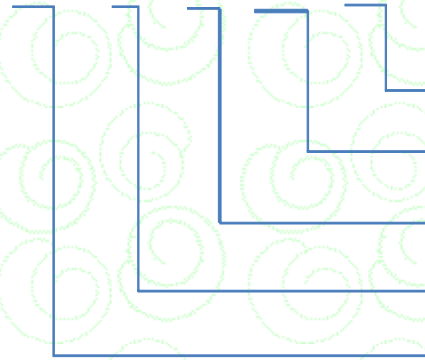


NOTE:

WE DO CUSTOM DIE CUT, MOLDED, EXTRUDED, FORMING, VULCANIZED RUBBER TO METAL GASKETS IN ALL DIFFERENT MATERIAL TO FIT YOUR APPLICATION. PLEASE CALL US at 1-888-327-7122 / 714-414-0977
 EMAIL of : engineering@emiconductiverubberllc.com

ORDER INFORMATION:

ECR215- RSTRIP 009 N/CFSIL 010



A= .750 (19.05); B=0.062 (1.57)

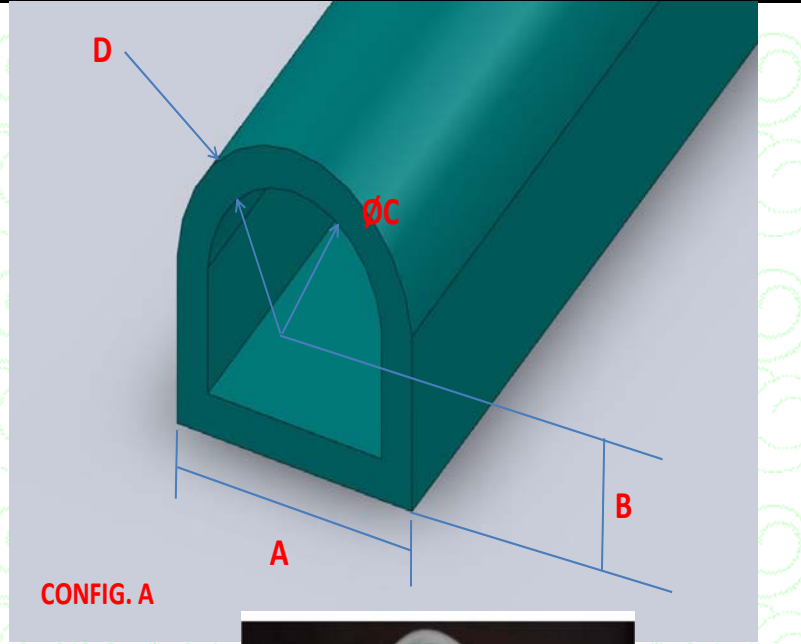
MATERIAL : N/C Fluorosilicone

DASH

RSTRIP SHAPE PROFILE

ECR-215 COMPOUND

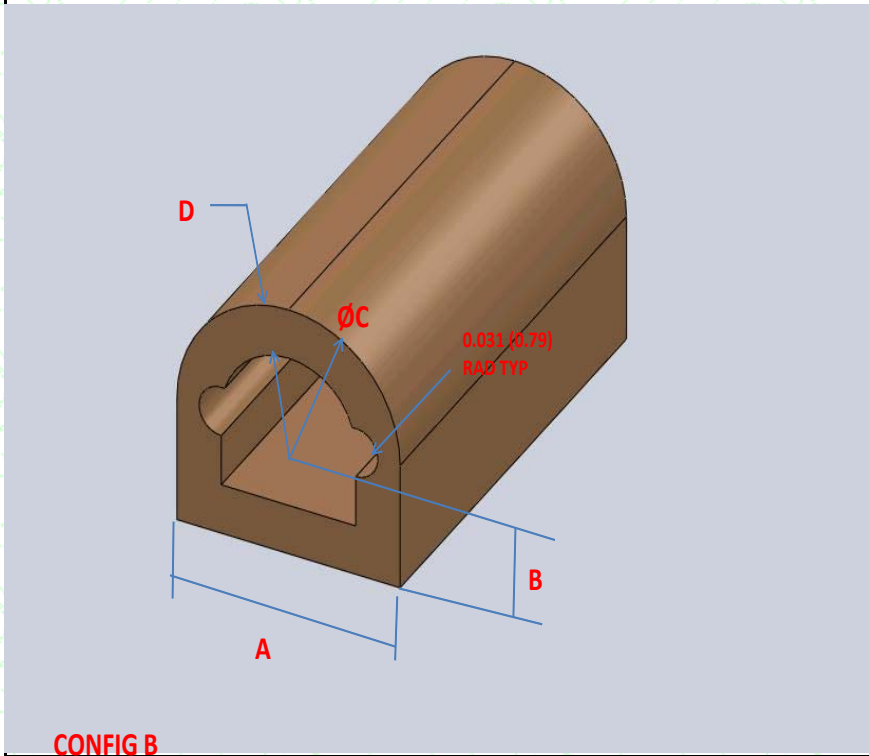
DASH NO.	A	B	ØC	D	P/N	X-SECTION AREA (cm ²)
001	.156 (3.96)	.078 (1.98)	.078 (1.98)	.045 (1.14)	ECRXXX-DSTRIP007X001	0.116
002	.187 (4.75)	.093 (2.36)	.093 (2.36)	.050 (1.27)	ECRXXX-DSTRIP007X002	0.156
003	.312 (7.92)	.156 (3.96)	.156 (3.96)	.062 (1.57)	ECRXXX-DSTRIP007X003	0.356
004 *	.312 (7.92)	.156 (3.96)	.156 (3.96)	.062 (1.57)	ECRXXX-DSTRIP007X004	0.337
005	.312 (7.92)	.200 (5.08)	.112 (2.84)	.062 (1.57)	ECRXXX-DSTRIP007X005	0.334
006	.487 (12.37)	.080 (2.03)	.244 (6.20)	.080 (2.03)	ECRXXX-DSTRIP007X006	0.582
007	.250 (6.35)	.125 (3.18)	.125 (3.18)	.065 (1.65)	ECRXXX-DSTRIP007X007	0.227



CONFIGURATION B IS ONLY AVAILABLE IN DASH 004

NOTE:

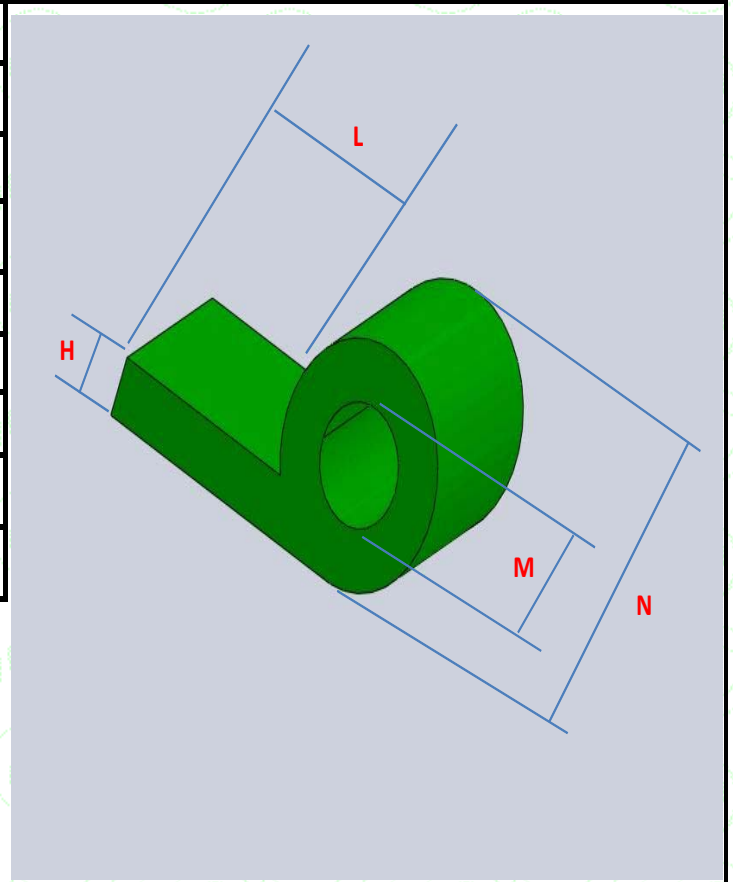
WE DO CUSTOM DIE CUT, MOLDED, EXTRUDED, FORM-IN, VULCANIZED RUBBER TO METAL GASKETS IN ALL DIFFERENT MATERIALS TO FIT YOUR APPLICATIONS. PLEASE CALL US at 1-888-327-7122 / 714-414-0977
 EMAIL at: engineering@emiconductiverubberllc.com



ECR101- DSTRIP 007B SCSIL 004
 A=.312 (7.92); B=.156 (3.96)
 C=.156 (3.96) ; D=.062 (1.57)
 MATERIAL : Ag/Cu SILICONE
 DASH
 DSTRIP SHAPE (CONFIG B)
 ECR-101 COMPOUND

Config	PART NUMBER	DIM	PRICING (PER FT) - \$250 MINIMUM ORDER											
			ECR-101 (Ag/Cu Sil)	ECR-102 (Ag/Al Sil)	ECR-103 (Ag/Cu F.Sil)	ECR-104 (Ag/Al F.Sil)	ECR-110 (Ag/Cu HD Sil)	ECR-111 (Ag/Ni Sil)	ECR-112 (Ag/GlassSil)	ECR-213 (Ni/C.Sil)	ECR-215 Ni/C F.Sil)	ECR-216 (Ag/Ni EPDM)	ECR-217 (Ag/Al EPDM)	ECR-218 (Ni/C EPDM)
SOLID "D" STRIP	ECRXXX-DSTRIP003XXX001	0.031X0.062X0.068	\$4.98	\$4.75	\$5.30	\$4.98	\$5.15	\$5.12	\$4.56	\$3.19	\$3.29	\$5.56	\$5.04	\$4.48
	ECRXXX-DSTRIP003XXX002	0.047X0.094X0.078	\$5.65	\$5.26	\$6.18	\$5.65	\$5.92	\$5.87	\$4.95	\$3.32	\$3.48	\$6.61	\$5.73	\$4.81
	ECRXXX-DSTRIP003XXX003	0.039X0.078X0.089	\$5.63	\$5.24	\$6.15	\$5.63	\$5.90	\$5.84	\$4.93	\$3.32	\$3.48	\$6.57	\$5.71	\$4.79
	ECRXXX-DSTRIP003XXX004	0.047X0.094X0.094	\$6.05	\$5.57	\$6.71	\$6.05	\$6.39	\$6.33	\$5.18	\$3.40	\$3.60	\$7.24	\$6.16	\$5.00
	ECRXXX-DSTRIP003XXX005	0.031X0.062X0.100	\$5.50	\$5.15	\$5.98	\$5.50	\$5.75	\$5.70	\$4.86	\$3.29	\$3.44	\$6.37	\$5.58	\$4.73
	ECRXXX-DSTRIP003XXX006	0.075X0.15X0.11	\$7.65	\$6.79	\$8.82	\$7.65	\$8.26	\$8.13	\$6.09	\$3.71	\$4.07	\$9.76	\$7.83	\$5.78
	ECRXXX-DSTRIP003XXX007	0.061X0.122X0.135	\$7.85	\$6.94	\$9.09	\$7.85	\$8.49	\$8.37	\$6.21	\$3.75	\$4.13	\$10.09	\$8.05	\$5.88
	ECRXXX-DSTRIP003XXX008	0.059X0.118X0.156	\$8.40	\$7.36	\$9.81	\$8.40	\$9.13	\$8.98	\$6.52	\$3.86	\$4.29	\$10.95	\$8.62	\$6.15
	ECRXXX-DSTRIP003XXX009	0.078X0.156X0.156	\$9.65	\$8.32	\$11.47	\$9.65	\$10.59	\$10.40	\$7.24	\$4.10	\$4.66	\$12.92	\$9.94	\$6.76
	ECRXXX-DSTRIP003XXX010	0.089X0.178X0.175	\$11.14	\$9.46	\$13.44	\$11.14	\$12.33	\$12.09	\$8.09	\$4.40	\$5.09	\$15.28	\$11.51	\$7.49
	ECRXXX-DSTRIP003XXX011	0.094X0.188X0.188	\$12.19	\$10.26	\$14.82	\$12.19	\$13.55	\$13.28	\$8.69	\$4.60	\$5.40	\$16.93	\$12.60	\$8.00
	ECRXXX-DSTRIP003XXX012	0.125X0.250X0.250	\$18.48	\$15.07	\$23.14	\$18.48	\$20.89	\$20.41	\$12.30	\$5.83	\$7.25	\$26.87	\$19.22	\$11.08
HOLLOW "D" TUBING	ECRXXX-DSTRIP007XXX001	.156 X 0.078 X 0.078 X 0.045	\$8.61	\$7.52	\$10.09	\$8.61	\$9.38	\$9.22	\$6.64	\$3.90	\$4.35	\$11.28	\$8.84	\$6.25
	ECRXXX-DSTRIP007XXX002	.187 X 0.093 X 0.093 X 0.050	\$10.36	\$8.86	\$12.41	\$10.36	\$11.42	\$11.21	\$7.65	\$4.24	\$4.87	\$14.05	\$10.68	\$7.11
	ECRXXX-DSTRIP007XXX003	.312 X 0.156 X 0.156 X 0.062	\$18.30	\$14.93	\$22.91	\$18.30	\$20.69	\$20.21	\$12.20	\$5.80	\$7.20	\$26.60	\$19.04	\$10.99
	ECRXXX-DSTRIP007XXX004	.312 X 0.156 X 0.112 X 0.062	\$17.52	\$14.33	\$21.87	\$17.52	\$19.77	\$19.32	\$11.75	\$5.64	\$6.96	\$25.36	\$18.21	\$10.61
	ECRXXX-DSTRIP007XXX005	.312 X 0.200 X 0.112 X 0.062	\$18.92	\$15.40	\$23.73	\$18.92	\$21.41	\$20.91	\$12.55	\$5.92	\$7.38	\$27.57	\$19.68	\$11.29
	ECRXXX-DSTRIP007XXX006	.487 X 0.080 X 0.244 X 0.080	\$27.25	\$21.77	\$34.74	\$27.25	\$31.13	\$30.35	\$17.33	\$7.55	\$9.82	\$40.74	\$28.44	\$15.37
	ECRXXX-DSTRIP007XXX007	.250 X 0.125 X 0.125 X 0.065	\$15.13	\$12.51	\$18.72	\$15.13	\$16.99	\$16.62	\$10.38	\$5.18	\$6.27	\$21.59	\$15.70	\$9.44

DASH NO.	N	M	L	H	P/N	X-SECTION AREA (cm**2)
001	.200 (5.08)	.080 (2.03)	.065 (1.65)	.062 (1.57)	ECRXXX-PSTRIP008X001	0.430
002	.200 (5.08)	.125 (3.18)	.250 (6.35)	.062 (1.57)	ECRXXX-PSTRIP008X002	0.359
003	.200 (5.08)	.125 (3.18)	.375 (9.53)	.062 (1.57)	ECRXXX-PSTRIP008X003	0.409
004	.200 (5.08)	.150 (3.96)	.375 (9.53)	.062 (1.57)	ECRXXX-PSTRIP008X004	0.374
005	.312 (7.92)	.187 (4.75)	.563 (14.30)	.062 (1.57)	ECRXXX-PSTRIP008X005	0.585
006	.360 (9.14)	.255 (6.48)	.420 (10.67)	.070 (1.79)	ECRXXX-PSTRIP008X006	0.562
007	.200 (5.08)	.080 (2.03)	.275 (6.99)	.062 (1.57)	ECRXXX-PSTRIP008X007	0.294
008	.250 (6.35)	.125 (3.18)	.625 (15.88)	.062 (1.57)	ECRXXX-PSTRIP008X008	0.509



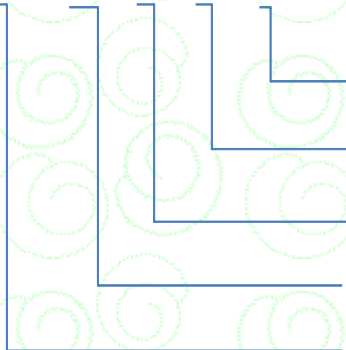
NOTE:

WE DO CUSTOM DIE CUT, MOLDED, EXTRUDED, FORM-IN, VULCANIZED RUBBER TO METAL GASKETS IN ALL DIFFERENT MATERIAL TO FIT YOUR APPLICATION. PLEASE CALL US at 1-888-327-7122 / 714-414-0977

EMAIL at : engineering@emiconductiverubberllc.com

ORDER INFORMATION:

ECR213- PSTRIP 008 NICSIL 008



N=.250 (6.35); M=.125 (3.18);
L=.625 (15.88); H=0.0625 (1.57)

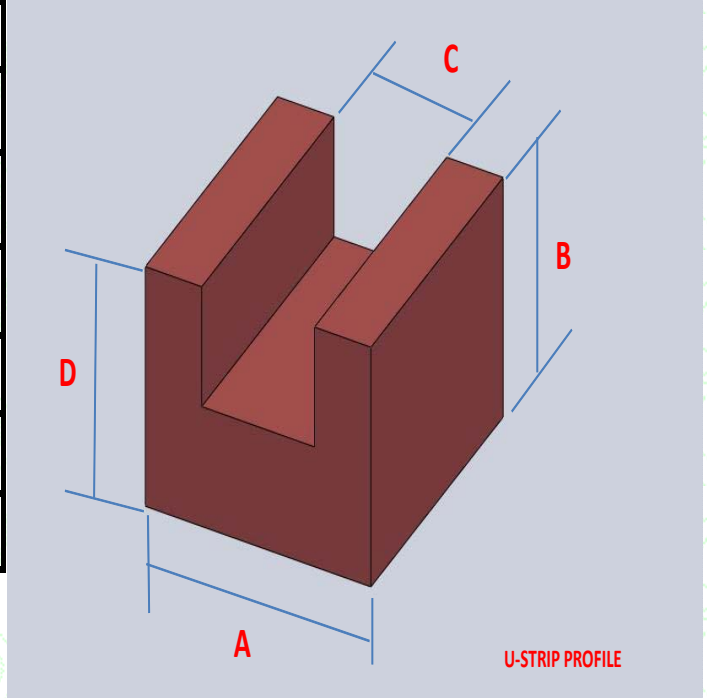
MATERIAL : Ni/C Silicone

DASH

P-STRIP PROFILE

ECR-213 Compound

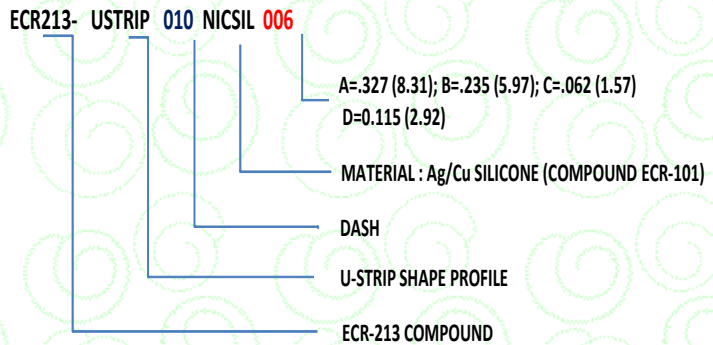
DASH NO.	A	B	C	D	P/N	X-SECTION AREA (cm**2)
001	0.100 (2.54)	0.100 (2.54)	0.034 (0.86)	0.033 (0.84)	ECRXXX-USTRIP010X001	0.050
002	0.126 (3.20)	0.110 (2.79)	0.025 (0.64)	0.050 (1.27)	ECRXXX-USTRIP010X002	0.079
003	0.126 (3.20)	0.225 (5.72)	0.020 (0.51)	0.075 (1.91)	ECRXXX-USTRIP010X003	0.164
004	0.156 (3.96)	0.156 (3.96)	0.062 (1.57)	0.047 (1.19)	ECRXXX-USTRIP010X004	0.113
005	0.175 (4.45)	0.156 (3.96)	0.047 (1.19)	0.075 (1.91)	ECRXXX-USTRIP010X005	0.152
006	0.327 (8.31)	0.235 (5.97)	0.062 (1.57)	0.115 (2.92)	ECRXXX-USTRIP010X006	0.448



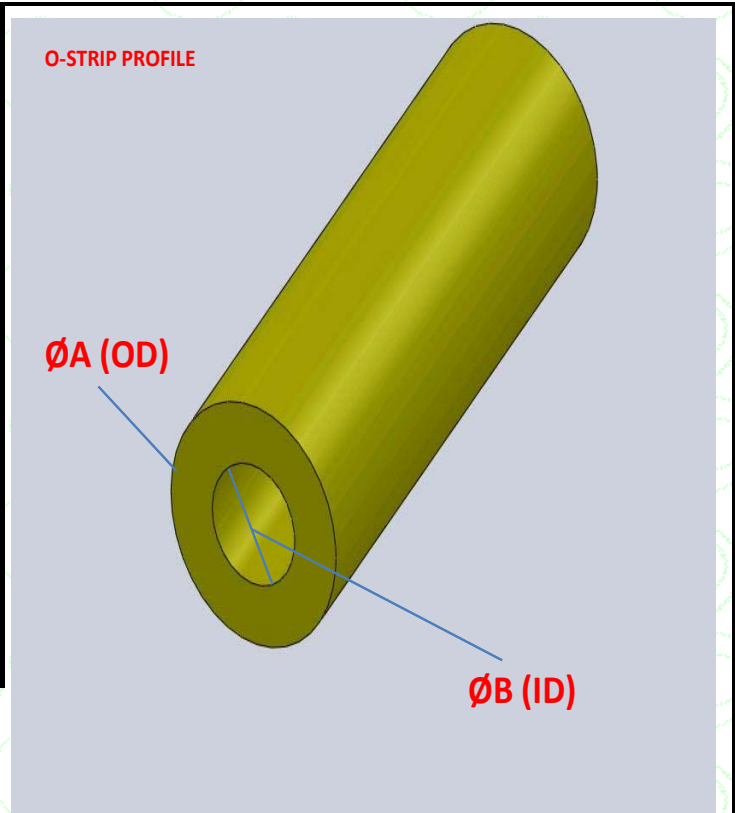
NOTE:

WE DO CUSTOM DIE CUT, MOLDED, EXTRUDED, FORM-IN, VULCANIZED RUBBER TO METAL GASKETS IN ALL DIFFERENT MATERIAL TO FIT YOUR APPLICATION. PLEASE CALL US at 1-888-327-7122 / 714-414-0977
 EMAIL at : engineering@emiconductiverubberllc.com

ORDER INFORMATION:



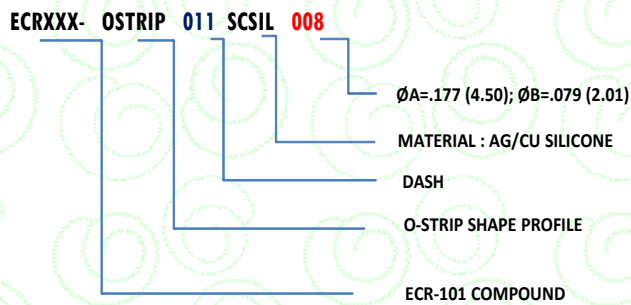
DASH NO.	ØA (OD)	ØB (ID)	P/N	X-SECTION AREA (cm**2)
001	0.125 (3.18)	0.045 (1.14)	ECRXXX-OSTRIP011X001	0.069
002	0.156 (3.96)	0.050 (1.27)	ECRXXX-OSTRIP011X002	0.111
003	0.250 (6.35)	0.125 (3.18)	ECRXXX-OSTRIP011X003	0.237
004	0.312 (7.92)	0.192 (4.88)	ECRXXX-OSTRIP011X004	0.306
005	0.375 (9.53)	0.250 (6.35)	ECRXXX-OSTRIP011X005	0.396
006	0.125 (3.18)	0.062 (1.57)	ECRXXX-OSTRIP011X006	0.060
007	0.103 (2.62)	0.040 (1.02)	ECRXXX-OSTRIP011X007	0.046
008	0.177 (4.50)	0.079 (2.01)	ECRXXX-OSTRIP011X008	0.127



NOTE:

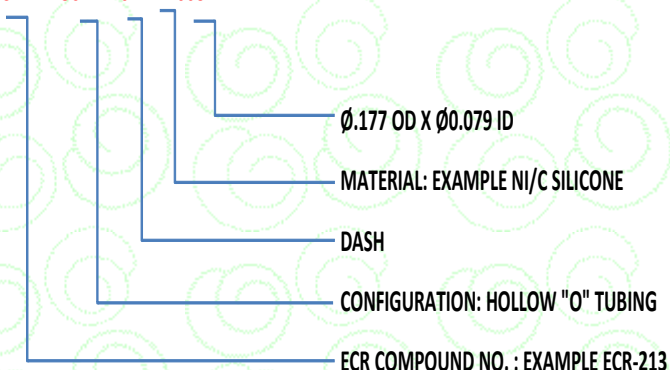
WE DO CUSTOM DIE CUT, MOLDED, EXTRUDED, FORM-IN, VULCANIZED RUBBER TO METAL GASKETS IN ALL DIFFERENT MATERIAL TO FIT YOUR APPLICATION. PLEASE CALL US at 1-888-327-7122 / 714-414-0977
 EMAIL at : engineering@emiconductiverubberllc.com

ORDER INFORMATION:



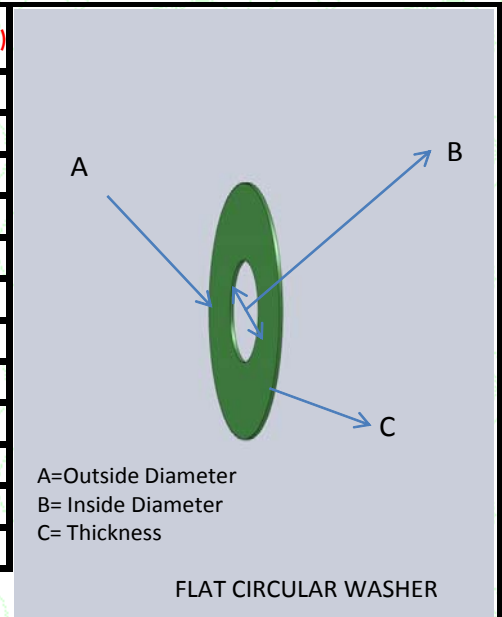
Config	P/N	DIM	MAT	PRICING PER FOOT (MINIMUM \$250 OR 100 FT)										
				ECR-101	ECR-102	ECR-103	ECR-104	ECR-110	ECR-213	ECR-215	ECR-216	ECR-217	ECR-218	
CORD	ECRXXX-CSTRIP001XXXXX001	0.040 OD	AVAILABLE ONLY IN ECR-101, ECR-102, ECR-103, ECR-104, ECR-213, ECR-215, ECR-216, ECR-218	\$3.31	\$3.24	\$3.40	\$3.28	\$3.36	\$2.06	\$3.09	\$4.48	\$4.33	\$4.15	
	ECRXXX-CSTRIP001XXXXX002	0.053 OD		\$3.54	\$3.43	\$3.71	\$3.48	\$3.63	\$2.11	\$3.16	\$4.85	\$4.58	\$4.26	
	ECRXXX-CSTRIP001XXXXX003	0.062 OD		\$3.75	\$3.60	\$3.99	\$3.67	\$3.87	\$2.15	\$3.23	\$5.18	\$4.80	\$4.36	
	ECRXXX-CSTRIP001XXXXX004	0.070 OD		\$3.94	\$3.75	\$4.24	\$3.84	\$4.09	\$2.18	\$3.28	\$5.48	\$5.01	\$4.46	
	ECRXXX-CSTRIP001XXXXX005	0.080 OD		\$4.22	\$3.98	\$4.62	\$4.10	\$4.43	\$2.24	\$3.37	\$5.93	\$5.32	\$4.60	
	ECRXXX-CSTRIP001XXXXX006	0.093 OD		\$4.66	\$4.32	\$5.19	\$4.49	\$4.93	\$2.32	\$3.50	\$6.62	\$5.78	\$4.81	
	ECRXXX-CSTRIP001XXXXX007	0.103 OD		\$5.03	\$4.62	\$5.68	\$4.83	\$5.37	\$2.40	\$3.62	\$7.21	\$6.18	\$4.99	
	ECRXXX-CSTRIP001XXXXX008	0.119 OD		\$5.71	\$5.17	\$6.58	\$5.44	\$6.16	\$2.53	\$3.82	\$8.28	\$6.91	\$5.32	
	ECRXXX-CSTRIP001XXXXX009	0.125 OD		\$5.99	\$5.39	\$6.95	\$5.69	\$6.49	\$2.58	\$3.91	\$8.72	\$7.22	\$5.46	
	ECRXXX-CSTRIP001XXXXX010	0.139 OD		\$6.70	\$5.96	\$7.89	\$6.33	\$7.31	\$2.72	\$4.12	\$9.84	\$7.98	\$5.81	
	ECRXXX-CSTRIP001XXXXX011	0.188 OD		\$9.76	\$8.41	\$11.94	\$9.09	\$10.89	\$3.32	\$5.06	\$14.69	\$11.27	\$7.31	
	ECRXXX-CSTRIP001XXXXX012	0.216 OD		\$11.93	\$10.14	\$14.80	\$11.03	\$13.42	\$3.75	\$5.71	\$18.11	\$13.60	\$8.36	
	ECRXXX-CSTRIP001XXXXX013	0.250 OD		\$14.96	\$12.56	\$18.81	\$13.76	\$16.95	\$4.34	\$6.63	\$22.89	\$16.86	\$9.84	
TUBING	ECRXXX-OSTRIP011Y001	Ø.125 OD X Ø0.045 ID	\$5.60	\$5.08	\$6.44	\$5.34	\$6.04	\$2.53	\$3.79	\$8.11	\$6.80	\$5.27		
	ECRXXX-OSTRIP011Y002	Ø.156 OD X Ø0.050 ID	\$7.18	\$6.34	\$8.52	\$6.76	\$7.87	\$2.82	\$4.27	\$10.60	\$8.49	\$6.04		
	ECRXXX-OSTRIP011Y003	Ø.250 OD X Ø0.125 ID	\$11.97	\$10.18	\$14.86	\$11.07	\$13.46	\$3.75	\$5.73	\$18.17	\$13.65	\$8.39		
	ECRXXX-OSTRIP011Y004	Ø.312 OD X Ø0.192 ID	\$14.57	\$12.26	\$18.30	\$13.42	\$16.50	\$4.26	\$6.52	\$22.29	\$16.45	\$9.66		
	ECRXXX-OSTRIP011Y005	Ø.375 OD X Ø0.250 ID	\$17.95	\$14.96	\$22.77	\$16.45	\$20.44	\$4.92	\$7.54	\$27.62	\$20.08	\$11.31		
	ECRXXX-OSTRIP011Y006	Ø.125 OD X Ø0.062 ID	\$5.24	\$4.80	\$5.97	\$5.02	\$5.62	\$2.44	\$3.68	\$7.55	\$6.41	\$5.10		
	ECRXXX-OSTRIP011Y007	Ø.103 OD X Ø0.040 ID	\$4.72	\$4.38	\$5.28	\$4.55	\$5.01	\$2.34	\$3.52	\$6.72	\$5.85	\$4.84		
	ECRXXX-OSTRIP011Y008	Ø.177 OD X Ø0.079 ID	\$7.80	\$6.84	\$9.35	\$7.32	\$8.60	\$2.94	\$4.46	\$11.58	\$9.16	\$6.35		

ECRXXX-OSTRIP 011 Y 008





DASH NO.	A	B	C	P/N	X-SECTION AREA (cm**2)
001	.250 (6.35)	.625 (15.86)	.031 (0.79)	ECRXXX-FCWASH012X001	0.038
002	.250 (6.35)	.625 (15.86)	.062 (1.57)	ECRXXX-FCWASH012X002	0.075
003	.375 (9.53)	.750 (19.05)	.031 (0.79)	ECRXXX-FCWASH012X003	0.038
004	.375 (9.53)	.750 (19.05)	.062 (1.57)	ECRXXX-FCWASH012X004	0.075
005	.500 (12.70)	.656 (16.66)	.031 (0.79)	ECRXXX-FCWASH012X005	0.016
006	.500 (12.70)	.656 (16.66)	.062 (1.57)	ECRXXX-FCWASH012X006	0.031
007	.500 (12.70)	.875 (22.23)	.031 (0.79)	ECRXXX-FCWASH012X007	0.037
008	.500 (12.70)	.875 (22.23)	.062 (1.57)	ECRXXX-FCWASH012X008	0.075
009	.750 (19.50)	1.000 (25.40)	.031 (0.79)	ECRXXX-FCWASH012X009	0.025
010	.750 (19.50)	1.000 (25.40)	.062 (1.57)	ECRXXX-FCWASH012X010	0.05
011	1.000 (25.40)	1.438 (36.53)	.031 (0.79)	ECRXXX-FCWASH012X011	0.044
012	1.000 (25.40)	1.438 (36.53)	.062 (1.57)	ECRXXX-FCWASH012X012	0.088



NOTE:
WE DO CUSTOM DIE CUT, MOLDED, EXTRUDED, FORM-IN, VULCANIZED RUBBER TO METAL GASKETS IN ALL DIFFERENT MATERIAL TO FIT YOUR APPLICATION. PLEASE CALL US at 1-888-327-7122 / 714-414-0977
EMAIL at : engineering@emiconductiverubberllc.com

ORDER INFORMATION:

ECR215- FCWASH012 NICFSIL 008

